



**PACIFIC**  
WHOLESALE DISTRIBUTORS

---

# Custom Made Blinds Manual Internal Applications

---

**Venetians  
Cellulars  
Transitions**

**October 2024**

*Version 2024.2*

**T +61 2 9680 7999**

**E [support@pacificwholesale.com.au](mailto:support@pacificwholesale.com.au) | W [www.pacificwholesale.com.au](http://www.pacificwholesale.com.au)**

# TERMS AND CONDITIONS OF TRADING

Effective: 15 August 2022

## Payment Terms

Strictly net 30 days, if there is a problem with payment, please contact us.

Pacific Wholesale Distributors reserve the right to:

1. Refuse delivery to any overdue account.
2. Charge interest on overdue accounts.
3. Refuse credit.

## Delivery Terms/Freight

Sydney Metropolitan \$56.69 – Order value below \$1,000

Regional & Interstate \$85.04 – Order value below \$1,000

Orders that exceed these values will be Free into Store (FIS).

The additional freight charges are below;

Charge Type	Details
Tail Gate <i>Delivery to a site where there is no forklift, and pallets or other heavy consignments requires the use of a tail gate/tilt lift truck</i>	\$97.00 includes up to 2 pallets \$49.00 per additional pallet thereafter
Hand/Manual Unload <i>Delivery to a site where there is no forklift, and the consignment needs to be unloaded by hand</i>	\$74.00 per pallet or large loose item
Rejected/Futile/Un-Deliverable Delivery <i>When a consignment cannot be delivered due to the receiver being unavailable or the consignment is refused by the receiver</i>	\$92.00 includes up to 2 pallets \$46.00 per additional pallet thereafter
Waiting Time	\$69.00 after the first 30 minutes
Time Slot/Delivery Time Restriction Fee <i>When a consignment requires; A date/timeslot to be booked or a specific delivery day/time window Delivery before 2:30pm</i>	\$52.00 per consignment
Over Length Surcharge – Over 3.7m Long	\$144.00 per consignment <i>Only applies when the order value is less than \$2,000 Ex GST</i>
Residential Delivery	\$114.00 per pallet or large loose item
Post Bag	\$17.01
Overnight Express Post Bag	\$28.35

## GST

GST is charged on all items at a rate of 10%.

All prices quoted in this product catalogue or additional prices **do not include GST**.

## **Claims**

1. All credit claims must be in writing, including the relevant invoice numbers.
2. Claims must be submitted within 7 days of receipt of goods.
3. Goods may not be returned for credit without prior authorisation.
4. Pacific Wholesale Distributors will only replace faulty stock and will accept no further liability.
5. All returns are subject to a 20% re-stocking fee.

## **Title**

Property title in all goods remains with Pacific Wholesale Distributors until the goods are paid for in full.

***PRICES ARE SUBJECT TO CHANGE WITHOUT NOTICE***

# Contents

## Contents

1.	Introduction.....	3
2.	Custom Made Blinds.....	4
3.	Custom Made Venetian Blinds .....	5
4.	Custom Made Cellular Blinds .....	10
5.	Custom Made Transition Shades .....	27
6.	Sales Aids.....	42
7.	Custom Made Blinds Remake Process.....	44
8.	Care and Maintenance .....	45
9.	Custom Made Blinds Questions & Answers .....	47
10.	Custom Made Blinds Reference Chart.....	48

# 1. Introduction

The Custom Made Blinds Range offers an extensive range of window furnishing options to suit any application, with a wide range of product, material, and colour choices.

Elegant and stylish Custom Made Blinds will add value to a home and will enhance the living spaces. The vast range of Custom Made Blinds ensures an easy solution for all applications. With the added advantage of being energy efficient too, which helps to keep homes cooler in summer and warmer in winter.

Supporting this great range are swatches and sales aids that can be used by all sales and showroom staff when promoting the Custom Made Blind range, please refer to [Sales Aids](#).



## 2. Custom Made Blinds

### What are Custom Made Blinds?

- Custom Made Blinds offer a range of solutions for window coverings.
- Custom Made Blinds have been designed to be aesthetically pleasing following the latest trends and colours.
- Custom Made Blinds are made to your specifications to ensure a perfect fit for every application.
- Custom Made Blinds come with safety devices to comply with Australian Child Safety Standards.

### Custom Made Blinds Range:

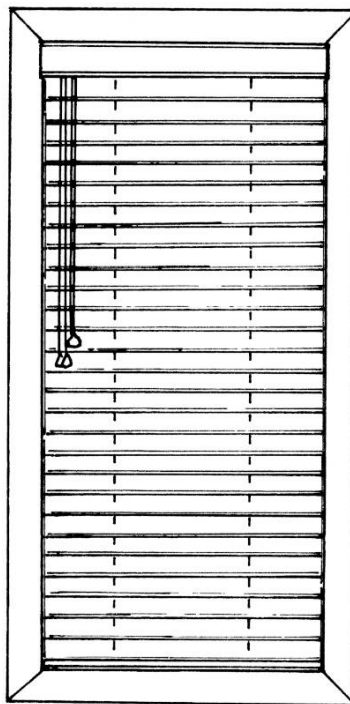
All Custom Made Blinds offer the above advantages with specific features according to the product types as follows:

- ✓ Venetian Blinds
  - 50mm and 63mm Venetians
  - 50mm and 63mm PS Privacy Venetians
  
- ✓ Cellular Blinds
  - 25mm Single Cell
  - 38mm Single and Double Cell
  - 45mm Single Cell
  - 45mm Cell-In-Cell
  
- ✓ Transition Shades
  - Multi Shades
  - Triple Shades

## 3. Custom Made Venetian Blinds

### 3.1 50mm & 63mm PS Venetian Blinds

- The 50mm and 60mm PS Venetian Blind slats are manufactured from compressed polystyrene; this has been tested to withstand temperatures of up to 75 Degrees. (*PS Slat withstands much higher temperatures than PVC*).
- The 50mm and 63mm PS Venetian Blind uses a 51.5mm x 57.5mm roll formed steel painted head rail. The end mounts and centre brackets are made of steel to provide strength, and are painted to match the colour of the head rail.
- 2.2mm non-stretch cord is provided for slat rotation.
- Slat tilting is controlled by a solid cast body wand tilter with a strong metal tilt drive insert. A metal bodied cord lock is also used to ensure product longevity.
- PS slats are water resistant making them ideal for wet areas, and are also resistant to chipping and cracking.
- To ensure privacy, the PS Venetian Blind is manufactured using a 42mm pitched ladder braid, which creates a generous overlap of the slats when the blind is closed.
- Ladder braid, plastic components have all been colour matched to the slat.
- An 85mm decorative fascia with concealed metal mounting clips is standard with PS Venetian blinds.
- A trapezoid bottom rail provides improved closure.
- Clear polycarbonate hold-down clips are provided as an option, to stabilise the bottom rail in the window.

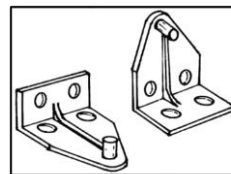


For details on the Colours for Venetians slat/blades, please refer to the [Custom Made Blind Reference Chart](#)

## 3.2 50mm & 63mm PS Venetian Blinds Options & Parts

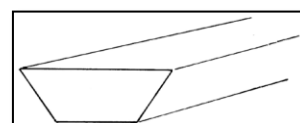
### Hold Down Clips

- Holds down clips made from reinforced polycarbonate plastic and are optional at no extra cost.
- Holds down clips are an ideal option for venetian blinds that are used on doors and windows which can be opened. They will help prevent the blinds from swinging due to the wind.



### Bottom Rails

- All PS and Privacy venetian blinds have a unique trapezoid shaped bottom rail which assists with smoother tilting and closing operation.

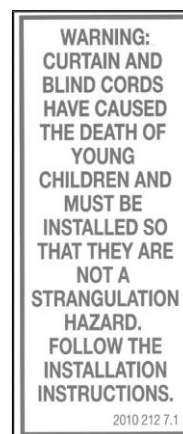
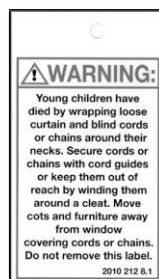
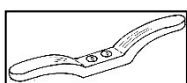
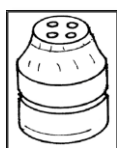


### Fascia

- A standard 85mm decorative fascia is supplied with PS and PS Privacy venetian blinds. These come with concealed metal mounting clips.
- Common fascia's are also available when installing two or more blinds together in the same opening.
- The maximum length for a single fascia is 2700mm. Fascias longer than 2700mm will be supplied as separate pieces, which can be connected with a metal joiner supplied.

### Safety Features

- All venetian blinds will have a colour matched plastic breakaway safety tassel as part of lift cord system. This safety tassel is designed to break apart to stop a loop from forming which is a strangulation hazard. This complies with Child Safety Regulations.
- All Venetian blinds are supplied with clear polycarbonate cord cleats to tie off the cord when the blinds are raised.
- Warning labels are also attached to the blinds to alert consumers to the possible risks in the blind operation. This complies with Child Safety Regulations.
- The installer is required by law to ensure all safety devices are installed correctly and they must also attach a signed sticker or tag as per "Fitter Requirements" by law.





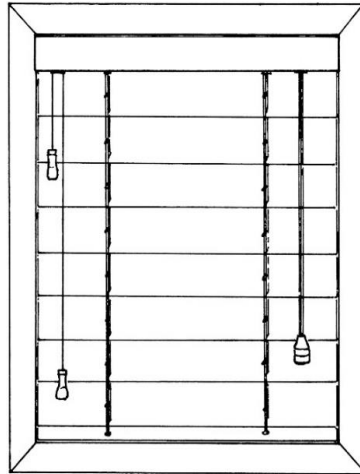
### 3.3 50mm & 63mm PS Venetian Blinds Stack Heights

Below are the standard stack heights for each blind drop.

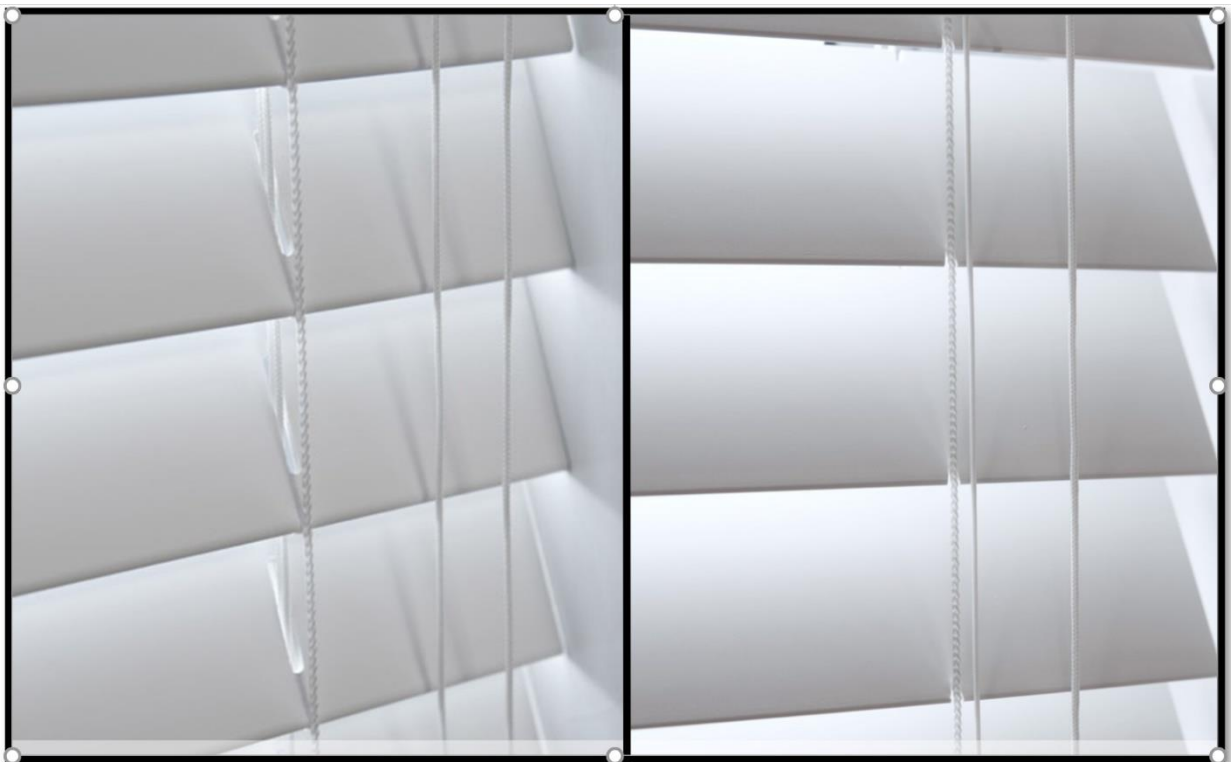
Blind Drop	Stack Height
500mm	104mm
1000mm	144mm
1500mm	184mm
2000mm	224mm
2500mm	264mm
3000mm	304mm

## 3.4 50mm & 63mm PS Privacy Venetian Blinds

- The 50mm and 63mm PS Privacy Blind offers all the benefits of the 50mm and 63mm PS Venetian blind range.
- The 50mm and 63mm PS Privacy Blind has no punch holes in the slat, and the ladder runs on the outer edge of the slats. This design provides greater privacy and light filtering to the standard PS Venetian Blinds.



### STANDARD VENETIAN BLIND compared to PRIVACY VENETIAN BLIND



For details on the Colours for Venetians slat/blades, please refer to the [Custom Made Blind Reference Chart](#)

## 3.5 Selling Tips

- Venetian Blinds are ideal in a situation where windows are left open to allow ventilation, as they provide control over light and privacy, without damage to the blind. They wipe clean and are stable in a breeze with hold-downs.
- Always check that there is a position where cords can be tied off for Child Safety.
- In the reveal, minimum depth required is 60mm (65 for 63mm blade) plus 12-15mm for the Fascia.
- If space is tight, the fascia can be ordered longer to either fit into the quirk, or with returns, to be installed as semi-reveal.
- Venetian Blinds will not achieve total light block out, especially tall/large blinds. The longer the blind, the more light will seep in, when closed.
- Venetian Blinds close better one way – usually down.
- They are not made to be stacked every day. They should be pulled up to a stacked position and released again every 2 months or so, as regular maintenance.
- Avoid ordering single blinds that exceed approx. 4m<sup>2</sup>. Large blinds place stress on the mechanisms and on the operator as they are heavy. All large blinds should be supported when raised or lowered.
- Small blinds may have lift cords on the opposite side of the head rail from the tilt cords.
- PS contains stabilisers, however over a period of exposure, PS may discolour in direct sunlight.
- Venetian Blinds are better if installed in a reveal aesthetically and as components are covered, therefore not as exposed to dust, salt air, atmospheric moisture and toxins.
- 63mm Venetian Blinds can give the appearance of a shutter from outside the home, which is a good option where the budget is tight.

## 4. Custom Made Cellular Blinds

### 4.1 Features and Benefits

#### Style

Cellular Blinds have a modern clean-lines aesthetic, offering a fashionable look which will compliment most décor styles. Aesthetic highlights include:

- A wide range of colours and textures to choose from, across various levels of light control, three cell sizes and single cell, double cell and Cell-In-Cell options.
- Minimal stacking heights, looking neat and maximizing light into the room when stacked
- Head Rail, Mid-rail (for TDBU and Day/Night) and Bottom Rails are powder coated to match each other. No fabric inserts are used.
- Default powder coated rails and cords are matched within a shade or two of blind fabric colour.
- Rail colours as an alternative to Default may be specified.
- All wands and safety devices are transparent.
- White backing on all fabrics, conforms to common Body Corporate rules for white window furnishings facing the exterior of buildings. While allowing occupiers to enjoy their preference of blind colour. Alternatively, fabric can be reversed so that White fabric is on the face and chosen colour is on the back (towards the glass).
- Motorised Blind options include Power Supply; Control Type and Configuration.
- Cellular Blinds and Remotes conform to Child Safety Regulations

#### Function

- Superior insulation, both for heat/cold (refer to following section), light and sound. Benefits of energy cost savings, environmental sustainability and multi-faceted comfort for the consumer
- Four operating control choices, to suit openings, lifestyle and budget
- Flexible ventilation and privacy control, in particular the Top Down Bottom Up option
- Translucent (Semi Opaque) or Block-out (Opaque) options
- Block-out fabrics are light blocking. Gaps between reveal and blind are small allowing only minimal light leakage, therefore these blinds are considered to be Room Darkening.
- Ability to fit into tight reveal depths, as they are available in 25mm, 38mm or 45mm options
- Accommodate both small (minimum 200mm x 200mm) and large (maximum 3000mm x 3600mm) openings. Sizes vary according to control option and cell size
- 100% Polyester is easy to clean

For details on textures and colours for Cellular Blinds please refer to the [Custom Made Blind Reference Chart](#)

## 4.2 Sustainability and R Value

Increasingly, informed consumers are shopping for window furnishings that deliver energy savings in addition to aesthetics and functionality. Energy is saved when temperature transfer is minimised, be it hot or cold, between the outside and inside of buildings.

R and its metric version RSI value, describe how effective a material is at resisting heat flow by conduction. **The higher the R Value, the slower the rate of heat/cold transfer through the material, therefore the better the insulation property, and the higher the energy saving.** Glass for example, has a low R-Value.

It is widely accepted and proven that well fitted Cellular blinds are very effective at reducing heat/cold transfer. This is because air pockets are very efficient insulators. Performance is improved both when the Cell is larger and when the number of layers and pockets of air created are increased. This is verified by the R values of OPC Cellular blinds in the following chart.

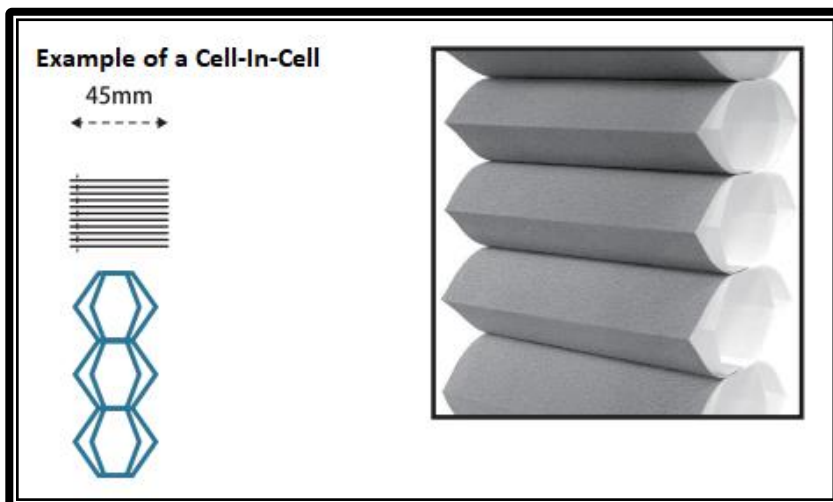
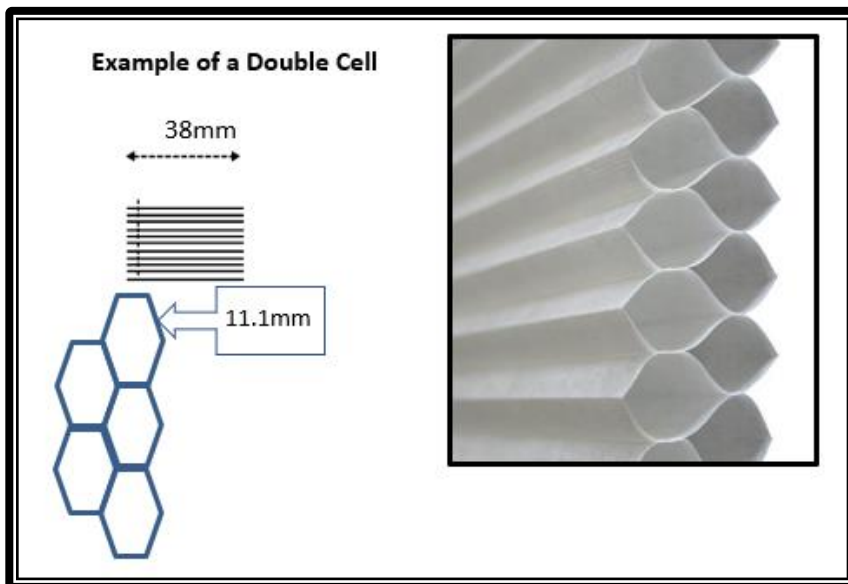
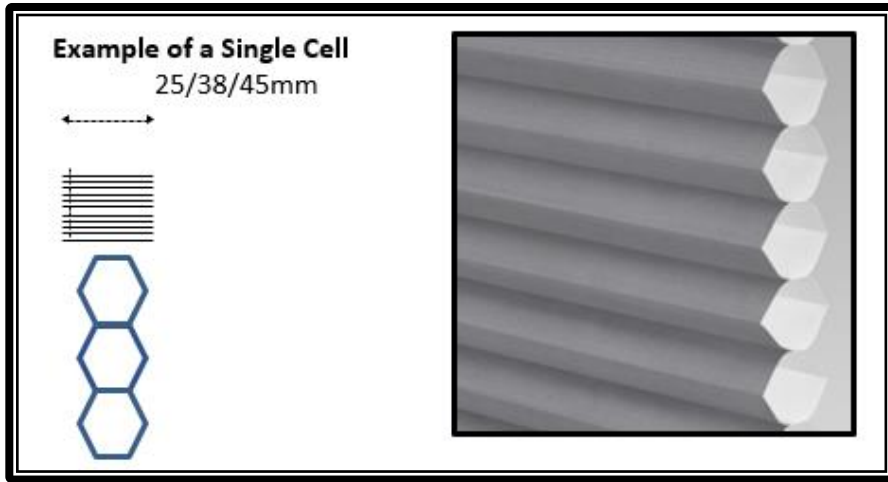
CELL SIZE	FABRIC	RSI Value (m2K)/W	R Value (ft2·°F·hr)/Btu
38	Single Cell Translucent	0.82	4.64
38	Single Cell Blockout	1.16	6.57
38	Double Cell Translucent	0.87	4.92
38	Double Cell Blockout	1.19	6.75
25	Single Cell Translucent	0.55	3.10
25	Single Cell Blockout	0.77	4.36

As a point of comparison, the following are the approximate RSI Values of alternative window furnishings (materials and fit will alter R Values):

- Single Glazed Window RSI Value approx. 0.19 (m2K)/W
- Roller Blinds RSI Value approx. 0.14 (m2K)/W
- Plantation Shutters RSI Value approx. 0.33 (m2K)/W
- Heavy Curtains RSI Value approx. 0.16 (m2K)/W

Please note 45mm Cell & Cell-In-Cell data is not available currently.

## 4.3 Cell Configuration



## 25mm Cellular Blinds

- Have small unobtrusive bottom rails, requiring only 27mm clear reveal space for recess fit.
- Available in Single Cell only.
- Available in Block-out and Translucent, in a wide range of colours and textures.
- Please see section 4.7 below for Top Rail depth and bracket allowances, which vary depending on operation.

## 38mm and 45mm Cellular Blinds

- Have unobtrusive bottom rails, requiring 47mm clear reveal space for 38mm recess fit and requiring 54mm clear reveal space for 45mm recess fit.
- Available in 38mm and 45mm Single Cell, 38mm Double Cell and 45mm Cell-In-Cell
- Available in both Block-out and Translucent Fabrics, in a wide range of colours and textures.
- The advantage of a double cell blind is they have better insulation properties (higher R value).
- Please see section 4.6 below for Top Rail depth and bracket allowances, which vary depending on operation.

For details on textures and colours please refer to the [Custom Made Blind Reference Chart](#)

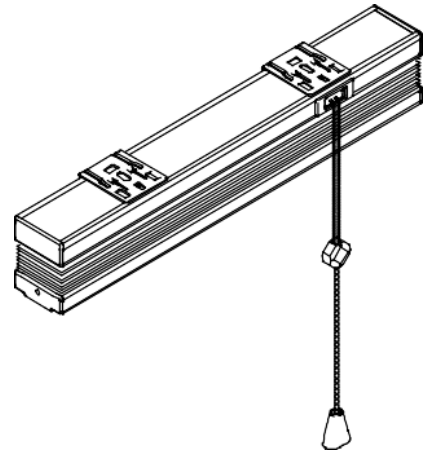
## 4.4 Control Options

Cellular Blinds have a range of options to suit operation requirements:

- Standard Cord Control
- Clutch Control
- Cordless
- Motorised – Battery Operated with either Wand Control or Remote Control (batteries not included)
- Motorised – Powered Operated Motor with Power Adapter (Hardwired motor) with either Wand Control or Remote Control
- Motorised – Rechargeable Battery-Operated Motor with either Wand Control or Remote Control
- Skylight – Cordless
- Skylight - Motorised

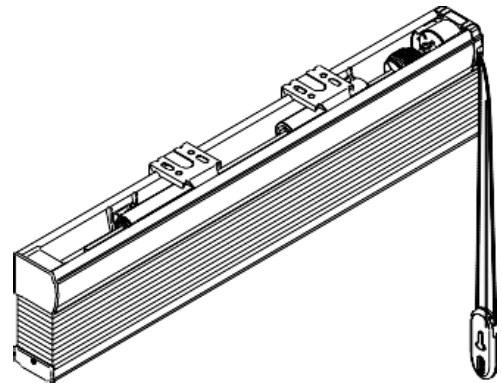
## ■ Standard Cord Control

- Cord lock system that raises or lowers the bottom rail
- Cord Installation must meet child safety rules
- Supplied child safety devices are transparent
- No surcharges on standard blind
- Widest range of blind sizes available (standard blind)
- Top Down Bottom Up and Day/Night Available



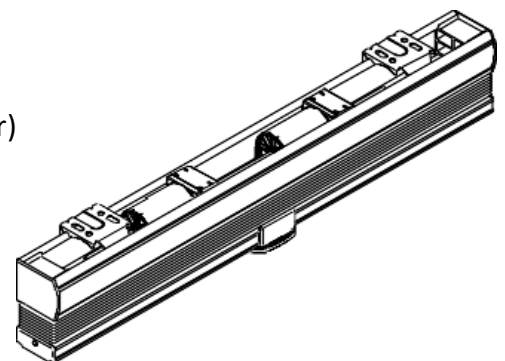
## ■ Clutch Control

- Continuous looping cord
  - Pull down the front of the cord to raise the blind.
  - Pull down the back of the cord to lower the blind.
- Cord Installation must meet child safety rules.
- Supplied child safety devices are transparent
- Clutch cord will be supplied as Cotton/White, unless specified otherwise
- Surcharge applies
- Wide range of blind sizes available (standard blind)
- Top Down Bottom Up and Day/Night Available with 2 cords.



## ■ Cordless Control

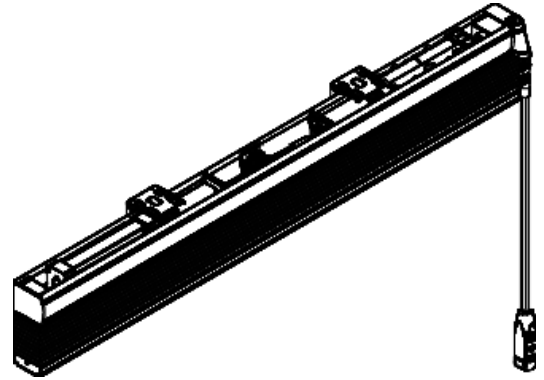
- The ultimate child safe solution with no visible cords.
- Use the blind handle (optional on the bottom rail to raise or lower)
- The blind will stay in the desired position
- Surcharge applies
- Range of blind sizes available (standard blind):
  - Smallest 350mm x 200mm (600 for Double Cell)
- 25mm, 38mm and Double Cell Maximum Width 2400mm
- Maximum Drop 2100mm
- Top Down Bottom Up and Day/Night Available





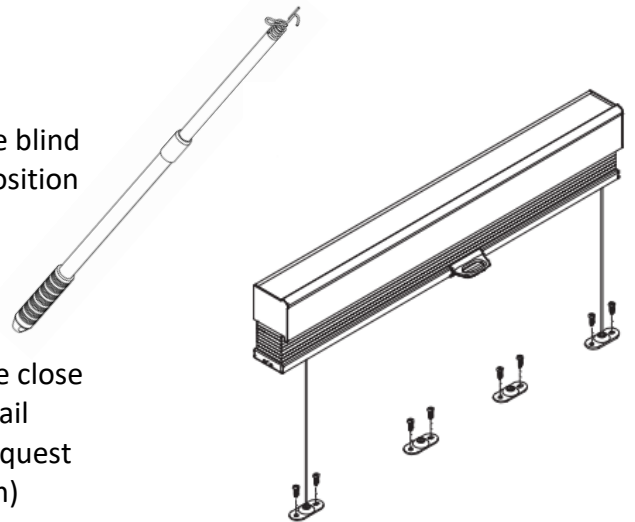
## ▪ Motorised - Wand or Remote Control

- Available in either battery, power adapter or rechargeable battery solutions. *(For Battery Operated Blinds, the 8 x AA Batteries are not included)*
- Raise or lower the blind with a touch of a button on the wand control or remote.
- Surcharge Applies
- 2m or 3m wired extension cables for Hard Wired are available on request
- Remote has 15 channels



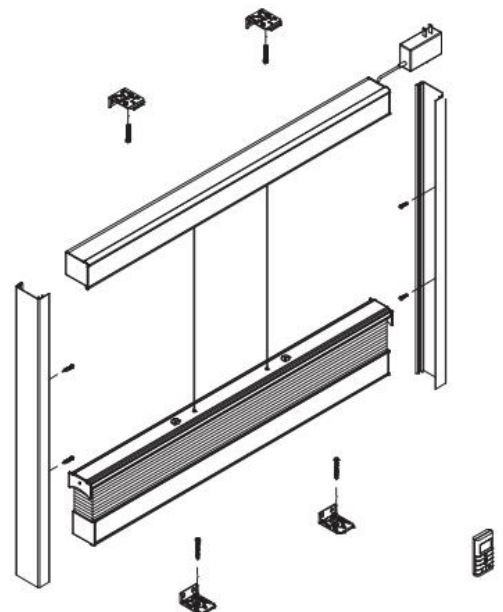
## ▪ Skylight - Cordless

- A great solution for Skylight windows
- The ultimate child safe solution with no visible cords.
- Use the blind handle on the bottom rail to open/close blind
  - The blind will stay in the desired position
- Available in 38mm Single cell only
- Surcharge Applies
- Standard operation only
- Supplied with wire guides running through the fabric
- Supplied with magnets on the bottom rail for a secure close
- Must have fixing points for the headrail and bottom rail
- An Extendable Pull Stick is available to order, upon request
  - Extendable pull stick size = (914.4mm - 1676.4mm)



## ▪ Skylight – Motorised

- The ultimate solution for hard-to-reach Skylight windows
- Open or Close the blind with a touch of a button on a Remote control.
- Must be supplied with side channels to hold rails and fabric
- Side channels supplied in white only
- Motor operated by a power adapter – constant power needed
- Available in 38mm Single cell only
- Surcharge Applies
- Remote has 15 channels
- Standard operation only
- Must have fixing points on all 4 sides of blind



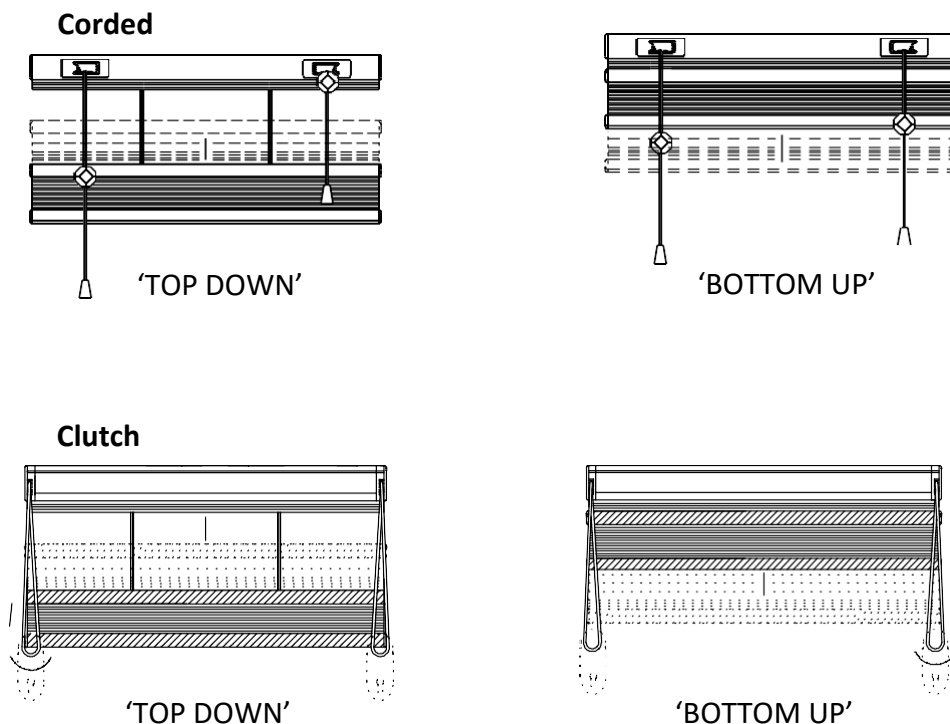
## 4.5 Configuration Options

In addition to Standard Cellular Blinds, there are two configuration options that offer greater functionality:

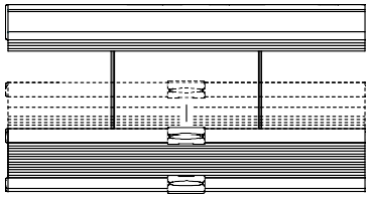
### A. Top Down Bottom Up

- Allows the blind to be raised from the bottom and/or lowered from the top, providing superior privacy and light control.
- Available in Corded, Clutch, Motorised and Cordless control systems.
- A middle rail (same rail as a bottom rail) is fitted immediately below Headrail to facilitate the Top Down option
- **Corded** operates with cord locks on both the left and right sides of the Headrail, with an option on the order form to choose which side will operate the middle (Top Down) and bottom rails (Bottom Up) respectively. On the order form:
  - Top Left, Bottom Right means the Left cord controls the middle rail (Top Down)
  - Top Right, Bottom Left means the Right cord controls the middle rail (Top Down)
- **Clutch** operates with one cord on both the left and right sides of the blind
- Order form codes are:
  - LR means cord controlling middle rail (Top Down) is on the left
  - RL means cord controlling middle rail (Top Down) is on the right

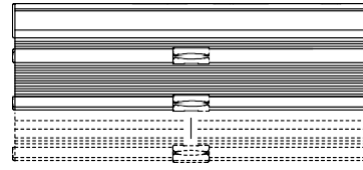
For Size details please refer to the [Custom Made Blind Reference Chart](#).



### Cordless



'TOP DOWN'



'BOTTOM UP'

## B. Day/Night

Two blinds (usually a Translucent and Block-out) are fitted one above the other on the same headrail, with a middle rail (same rail as a bottom rail) between these blinds.

'DAY' – allows the Translucent blind to show.

'NIGHT' – allows the Blockout blind to show.

- Either blind, or a combination of these blinds can be selected to cover the window at any given time. This gives total flexibility, control and functionality
- Day Blind can be ordered to be positioned on the top, or the bottom; visa versa for the Night Blind.
- Available in Corded, Cordless, Motorised and Clutch control systems.
- Charged as two blinds (selecting the correct fabric type price grid) with an additional surcharge.

**Corded** operates with a cord lock on both left and right sides of the headrail, with an option on order forms to choose which side will operate the Day and Night Blinds respectively:

Top Left, Bottom Right means the Left cord controls the middle rail (exposing top blind), the Right cord controls the bottom rail (exposing bottom blind).

Top Right, Bottom Left means the Right cord controls the middle rail (top blind), the Left cord controls the bottom rail (bottom blind).

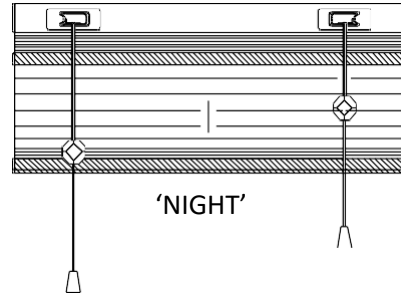
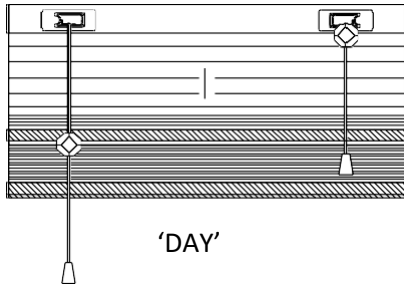
**Clutch** operates with one cord on both the left and right sides, or one single cord on one side.

Order form codes are:

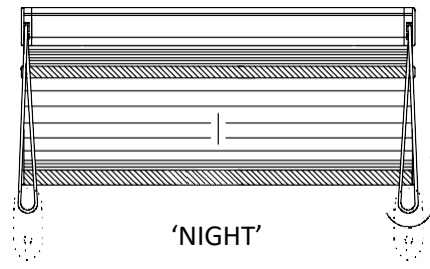
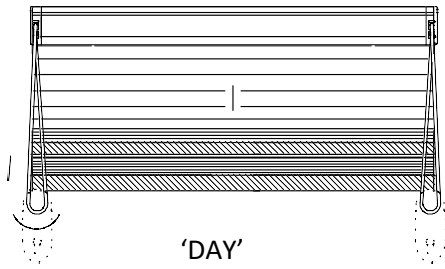
- LR means cord operating the higher positioned of the two blinds is on the left
- RL means cord operating the higher positioned of the two blinds is on the right
- L is one control cord on the left, operating all rails on the one single cord
- R is one control cord on the right, operating all rails on the one single cord

For Size details please refer to the [Custom Made Blind Reference Chart](#).

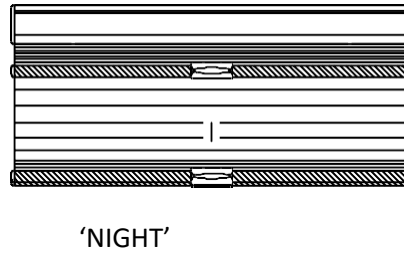
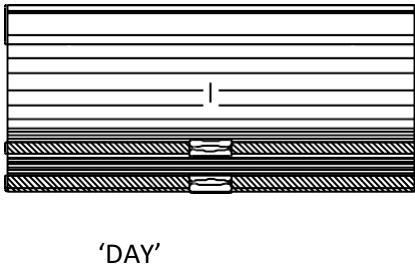
**Corded**



**Clutch**



**Cordless**



## 4.6 Motorised Options

Motorised Blind upper and lower limits are pre-set in the factory and step by step programming instructions are provided to reset or to set favourite positions. There are several Motorised Blind options to consider, including:

### Power Supply

- Powered Operated Motor With Power Adapter (Hardwired Motor) with Wand or Remote. These use a 240V Mains Plug and will require a power point/socket close to the Blind. The Blinds will need a continuous power source to operate
- Battery Operated Motor with Wand or Remote. Battery Operated Blinds use 8 x AA Batteries per Blind (batteries not included). These are not recommended for frequent use as the batteries may require regular changing. The batteries will need replacing according to the frequency of use and are not rechargeable. Motorised Battery options are not recommended for high window area's (due to the requirements to change batteries).
- Lithium Rechargeable Battery Operated Motor With Power Adapter with Wand or Remote. These use a 240V Mains Plug and will require a power point/socket close to the Blind when recharging the battery.

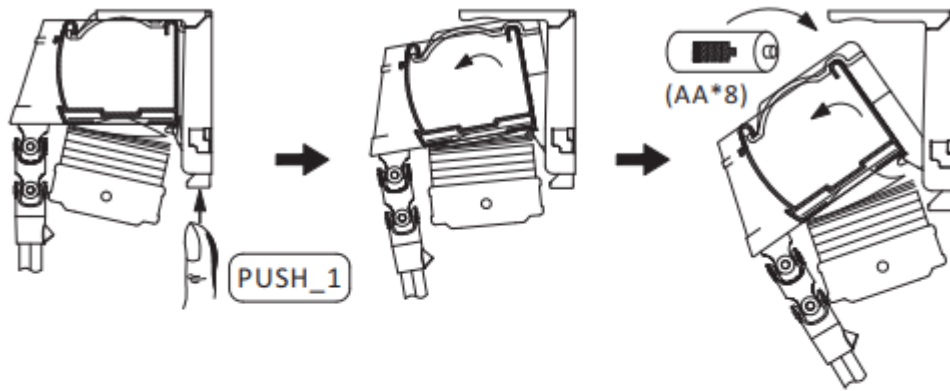
### Control Type

- Wand, which is a switch attached to the blind via a wand.
- Remote Control

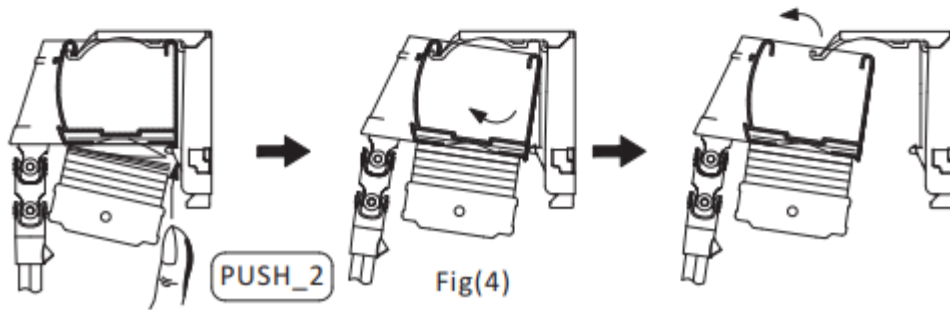
### Configuration

- Standard
- Top Down Bottom Up
- Day Night

## Procedure to Replace Batteries



**OR**

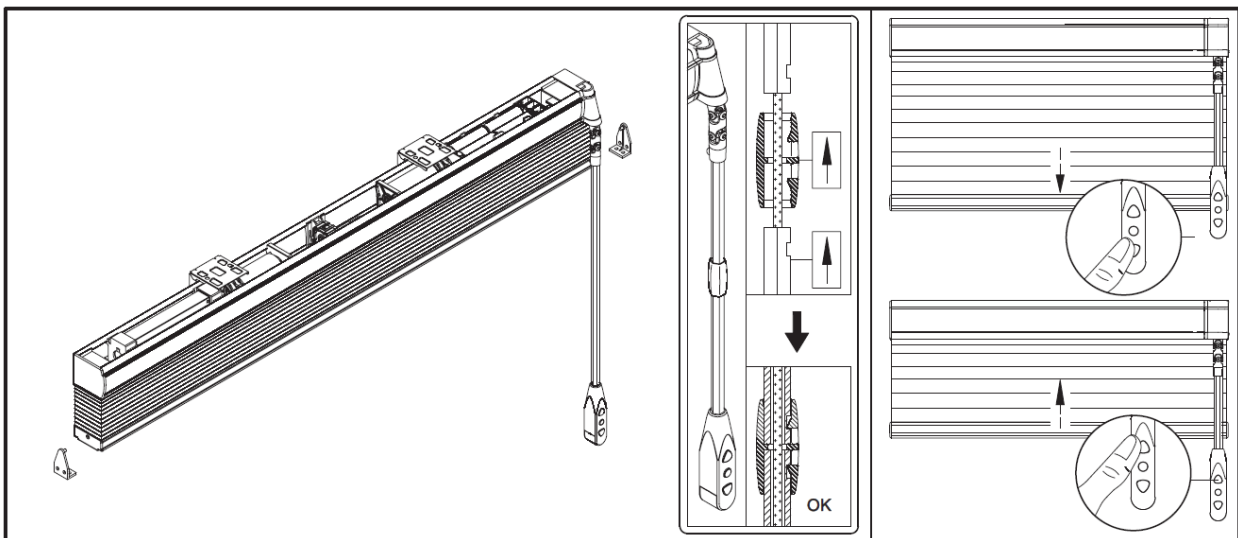


## Wand

Wands are translucent rods that make the blind's operating switch accessible for the user. Wands are positioned on the left, or right of the blind, as ordered. Wands are attached to the headrail and drop between 380mm and 1580mm from the top of the headrail. They have the advantage over a Remote control that they use less energy and are always with the blind. Below are the standard wand sizes for each Cellular blind drop.

When the order form does not specify the Wand length, the standard wand length will be;

- |                       |                    |
|-----------------------|--------------------|
| Drop less than 2400mm | Wand length 830mm  |
| Drop more than 2400mm | Wand length 1580mm |

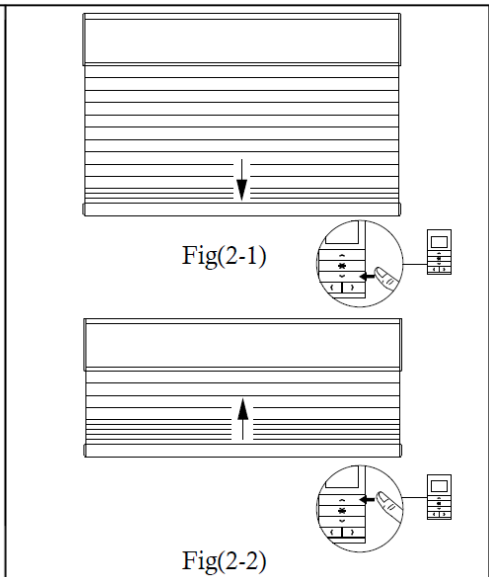
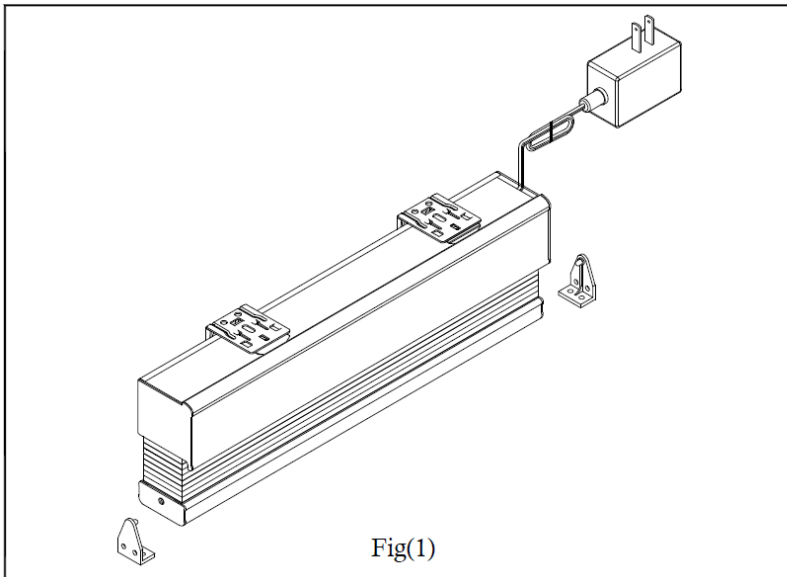


# A. Remote Control



Remote Controls have 15 Channels and are recommended to be powered by an Adaptor (wired blinds plugged into 240v 3 pin Socket).

A Push Pin tool is required to open the battery compartment on the remote, to prevent a child from accessing the button battery.



<b>MOTORISED CONTROLLED BY WIRELESS REMOTE</b>			
<b>CONFIGURATION</b>	<b>POWER SUPPLY</b>	<b>AVAILABILITY</b>	<b>NOTES</b>
STANDARD	240v PLUG & ADAPTOR - 3 Pin Socket Required	YES	1A Black Wire and Adaptor
TDBU		YES	
DAY NIGHT		YES	
<b>CONFIGURATION</b>	<b>POWER SUPPLY</b>	<b>AVAILABILITY</b>	<b>NOTES</b>
STANDARD	STD BATTERY (8 AA per Blind)	YES - NOT RECOMMENDED	Expect Frequent Battery Changes. Reveal Fit Blinds have to be removed from opening to change batteries
TDBU		NO	
DAY NIGHT		NO	



## 4.7 Reveal Depth Required (Face Fit Projection)

The following measurements include the L shaped bracket shown in the photographs below.

25mm Cell	Headrail & Bracket	Photo
Corded Standard	37mm	
Corded Top Down Bottom Up	37mm	
Corded Day/Night	37mm	
Clutch	55mm	
Clutch Top Down Bottom Up	55mm	
Clutch Day/Night	55mm	
Cordless	55mm	
Cordless Top Down Bottom Up	55mm	
Motorised Standard	55mm	
Motorised Top Down Bottom Up	55mm	
Motorised Day/Night	55mm	
38mm Cell	Headrail & Bracket	Photo
Corded Standard	55mm	
Corded Top Down Bottom Up	55mm	
Corded Day/Night	55mm	
Clutch	55mm	
Clutch Top Down Bottom Up	55mm	
Clutch Day/Night	55mm	
Cordless	55mm	
Cordless Top Down Bottom Up	55mm	
Motorised Standard	55mm	
Motorised Top Down Bottom Up	55mm	
Motorised Day/Night	55mm	
45mm Cell	Headrail & Bracket	Photo
Corded Standard	64mm	
Corded Top Down Bottom Up	64mm	
Corded Day/Night	64mm	
Clutch	64mm	
Clutch Top Down Bottom Up	64mm	
Clutch Day/Night	64mm	
Cordless	64mm	
Cordless Top Down Bottom Up	64mm	
Motorised Standard	64mm	
Motorised Top Down Bottom Up	64mm	
Motorised Day/Night	64mm	

The following measurements are rail and Headbox sizes, excluding the mounting bracket:

Blind Operation Type & Rail Sizes	25mm	38mm	45mm
	W x H	W x H	W x H
Head Rail - Standard (corded), Corded Day & Night, Corded Top Down Bottom Up	2.70cm x 1.70cm	4.72cm x 2.95cm	5.40cm x 2.95cm
Head Rail - Cordless, Cordless Top Down Bottom Up, Cordless Day & Night	4.75cm x 4.35cm	4.75cm x 4.35cm	5.40cm x 4.35cm
Head Rail - Clutch, Clutch Top Down Bottom Up, Clutch Day & Night, Motorised	4.75cm x 4.35cm	4.75cm x 4.35cm	5.40cm x 4.35cm
Middle Rail - Day & Night, Top Down Bottom Up for Corded, Clutch, Cordless, Motorised	2.70cm x 1.10cm	4.13cm x 1.10cm	4.72cm x 1.10cm
Bottom Rail - All options (except Skylight)	2.70cm x 1.20cm	4.02cm x 1.60cm	4.72cm x 1.60cm
Head Rail - Cordless Skylight, Wireless Remote Skylight		4.75cm x 4.35cm	
Middle Rail - Wireless Remote Skylight		4.13cm x 1.60cm	
Bottom Rail - Cordless Skylight		4.13cm x 1.10cm	
Bottom Rail - Wireless Remote Skylight		4.75cm x 4.35cm	

## 4.8 Cellular Blinds Stack Heights

Stack heights are relatively small, therefore a feature of Cellular Blinds is that when stacked, they are unobtrusive. Below are the approx. standard stack heights for each Cellular blind drop.

Blind Drop	Stack Height
500mm	47mm
1000mm	60mm
1500mm	70mm
2000mm	80mm
2500mm	91mm
3000mm	100mm

## 4.9 Cellular Blinds Cord Length (For Standard Corded Blinds)

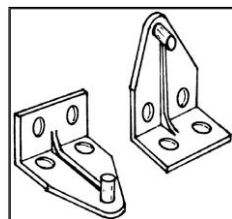
Below are the standard cord lengths for each Cellular blind drop. Longer or shorter cords may be supplied on request.

Blind Drop	Chain Length
Up to 849mm	425mm
850 – 1199mm	425mm ~ 600mm
1200 – 1499mm	600mm ~ 750mm
1500 – 1799mm	750mm ~ 900mm
1800 – 2299mm	900mm ~ 1150mm
Over 2300mm	Half of the Blind Drop

## 4.10 Hold Down Clips

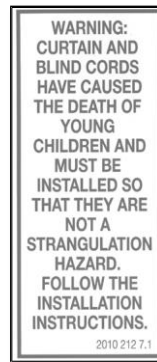
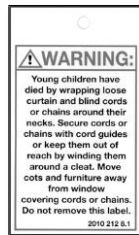
Hold-down clips made from reinforced polycarbonate plastic and are optional at no extra cost. They will help prevent the blinds from swinging due to motion. Hold-down clips are available for Face Fit blinds only.

Cellular Blinds are not designed to be in use directly in front of open windows with a breeze coming in. Hold-down clips are an ideal option for fixed openings or for TDBU Cellular blinds that are mounted on doors and windows which can be opened allowing a breeze in the area that is free of fabric.



## 4.11 Safety Features

- Corded Cellular blinds are supplied with clear polycarbonate cord cleats to tie off the cord when the blinds are raised.
- Clutch Cellular Blinds are supplied with a cord guide which secures the cord
- Warning labels are attached to the blinds to alert consumers to the possible risks in the blind operation. This complies with Child Safety Regulations.



## 4.12 Selling Tips

- Cellular Blinds are subtle and attractive, available in a range of colours and textures to match any décor.
- Cellular Blinds are extremely efficient insulators. They have been proven to help control Temperature, Light and Sound much more effectively than other blinds and curtains.
- Cellular Blinds are slim and unobtrusive when stacked. They stack tightly and easily.
- Cellular Blinds can be fitted into both very small and very large spaces. Minimum clear reveal depth to accommodate the bottom rail is 27mm.
- They wipe clean, are colour-fast and hold their shape.
- Top Down Bottom Up Cellular blinds offer flexibility of privacy at the bottom and ventilation at the top.
- The rear of all Cellular blinds are white.
- Always check that there is a position where cords can be tied off for Child Safety

## 5. Custom Made Transition Shades

- Transition Shades allow the control of sunlight and privacy without having to raise the blind.
- Transition Shades offer two different ranges:
  - Multi Shade Transition Shade Range
  - Triple Shade Transition Range
- The Transition range offers a variety of fabric types.
- The fabrics are available in a variety of finishes and offer an extensive range of colours.
- The headbox, chain control, bottom rail and chain are available in a variety of colours to suit any decor.
- Stainless steel chain options are available.
- Fabric inserts are an option for the headbox, allowing the matching fabric to be inserted as a feature.

The Transition Shade range consists of a comprehensive range of fabrics. For details on all the fabric types, colours and options please refer to the [Custom Made Blind Reference Chart](#).

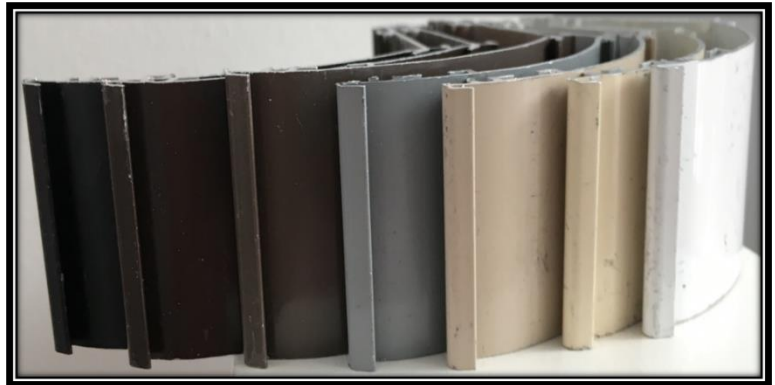


# 5.1 Transition Shades

## Options & Parts

### Headbox

- The headbox is available in:
  1. Black
  2. Dark Brown
  3. Light Brown
  4. Grey
  5. Beige
  6. Ivory
  7. White



- The headbox is available with a fabric insert, which allows the matching fabric to be inserted as a feature. This is recommended.

### Chain Controls

- Chain Controls are available in White, Ivory, Beige, Grey, Light Brown, Dark Brown or Black.

### Chain

- Chain colour will be matched to the headbox colour unless Stainless Steel is selected.
- Chain is available in White, Ivory, Beige, Grey, Light Brown, Dark Brown, Black or Stainless Steel.

### Recess Bracket (for Headbox)



Topside of Bracket



Underside of Bracket



Face Fit Bracket

### Bottom Rail

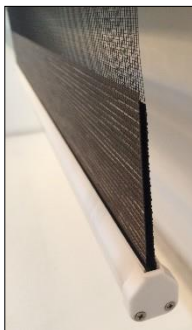
- When Jacquard Weave Shades are ordered, the bottom rail will be supplied as the Square profile with fabric insert. The bottom rail and end caps will be supplied in black or white only. The fabric will be inserted as a feature.



- When Triple Shade Semi Blockout, Triple Shade Privacy Standard and Triple Shade Jacquard Weave are ordered, the bottom rail will be supplied as the Shuttle Oval profile. The bottom rail and end caps will be supplied to match the headbox (either in White, Ivory, Beige, Grey, Light Brown, Dark Brown or Black).



- For all other fabric types, the bottom rail will be supplied as the Trapezium profile. The bottom rail and end caps will be supplied to match the headbox (either in White, Ivory, Beige, Grey, Light Brown, Dark Brown or Black). Note the white bottom rail in the photographs below is not the default for this fabric colour.



### Blind Dimensions

For minimum and maximum widths and heights please refer to the [Custom Made Blind Reference Chart](#).

Maximum width and height is dependent on the fabric and style type chosen.

## 5.2 Motorised Multi Shades and Triple Shades

Transitions are motorised using an energy saving, patented, low power tubular motor, powered by a rechargeable lithium battery. The battery will last 4-6 months between charges, assuming the motor is operated for 1 minute per day. Recharging takes 4 hours to fully charge the battery. The blind is operated by a 5 Channel remote, therefore 5 blinds can be operated by one remote. Limits are pre-programmed, therefore further programming is usually not required. If preferred, in addition to fully up and fully down, 4 additional positions can be pre-programmed for ease of use. For this reason, clear, diagrammatic programming instructions are provided with each delivered blind.

Motorisation is available with a 1 channel remote, or 2, 5 and 15 channels by special request.



A small screw driver is required to open the battery compartment on the remote, to prevent a child from accessing the button battery.

Remotes are supplied in White as default



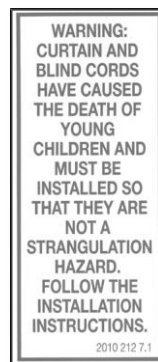
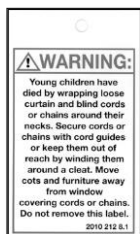
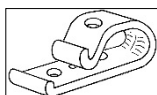
Black remotes available by special request



## 5.3 Safety Features

All Transition Shades are supplied with clear cord hold down clips so the chain will be secure when the Shades are raised.

Warning labels are also attached to the Shades to alert consumers to the possible risks in the Shade's operation. This complies with Child Safety Regulations.



## 5.4 Chain Length

Below are the standard chain lengths for each blind drop.

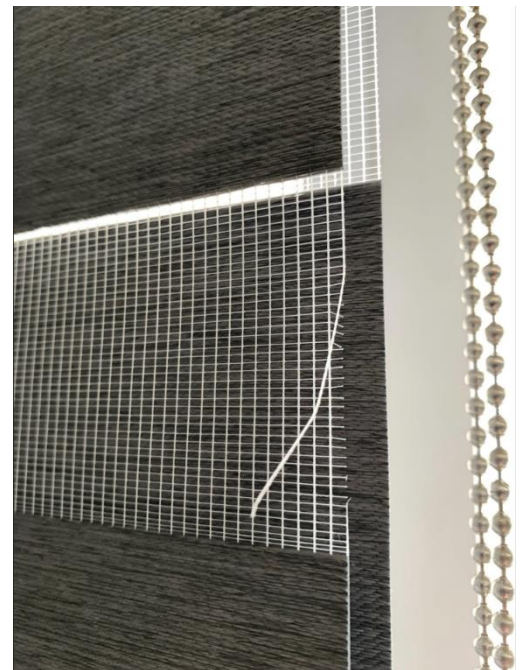
*Please note:* if required, a specific chain length can be specified when ordering.

Blind Drop	Chain Length
Up to 849mm	500mm
850 – 1199mm	750mm
1200 – 1499mm	1000mm
1500 – 1799mm	1200mm
1800 – 2299mm	1500mm
Over 2300mm	2000mm

## 5.5 Selling Tips Multi Shade Transition Range

Multi Shades are similar to a Roller Blind but with significant added benefits.

- Each layer of the double layer of fabric with alternate sheer and solid stripes is adjusted relative to the other layer, to give fingertip control over light and privacy.
- The blind can be ordered standard or reverse roll
- The pelmet-like Headbox with fabric insert is elegant and stylish
- Order “Side by Side” if more than one blind is ordered for the same room, or if more than one blind will be seen together from the outside. To match the stripes, side by side blinds must be the same drop.
- Fabric is dust, mould and moisture resistant polyester, with 6-8 Colour Fastness Ratings.
- The gaps between the reveal and blind are minimal to reduce light gaps.
- Multi Shades are not block-out blinds. The format of these blinds can allow daylight to filter between the layers of fabric and some light to filter on the edges.
- Occasionally single stray threads may become apparent in transit. These may be safely trimmed by the installer using sharp scissors.
- Our Multi Shade ranges include;
  - Multi Shade Privacy Standard
  - Multi Shade Privacy Woven
  - Multi Shade Semi Blockout Grain
  - Multi Shade Semi Blockout Textured
  - Multi Shade Privacy Textured
  - Multi Shade Privacy Luxe
  - Multi Shade Privacy Grain
  - Multi Shade Privacy Textured Grain
  - Multi Shade Privacy Large
  - Multi Shade Privacy Natural
  - Multi Shade Jacquard Weave
  - Multi Shade Premium Blockout
  - Multi Shade Premium Blockout Woven
  - Multi Shade Premium Room Darkening
  - Multi Shade Premium Woven Room Darkening
  - Multi Shade Textured
  - Multi Shade Eco Friendly



For fabric colours, types, options and specifications please refer to the [Custom Made Blind Reference Chart](#).

## 5.6 Selling Tips Triple Shade Transition Range

- Triple Shade is a three-dimensional window furnishing which combines some of the best features of Roller Blinds and Venetian Blinds to control privacy and light.
- Triple Shade offers both form and function, suiting most décor styles due to the romantic sheer softening straight horizontal lines.
- The horizontal heavier fabric slats tilt inside sheer fabric on the front and back.
- The blind rolls up and down in the closed position.
- The tilt is controlled when the blind is fully down in the opening, using the same chain as the raise and lower functions.
- The headbox is a small elegant curve shape with fabric inserts.
- Triple Shade is available in a range of colour ways, with toning Head Box, Chain and Bottom Rail. Stainless Steel Chain is available.
- Triple Shade Fabric is dust, mould and moisture resistant polyester with 6-8 Colour Fastness Ratings.
- The gaps between the reveal and blind are minimal to reduce light gaps.
- Triple Shade blinds are not block-out due to semi-opaque fabric and format of the blind.
- Our Triple Shade ranges include;
  - Triple Shade standard
  - Triple Shade Semi Blockout
  - Triple Shade Privacy Standard
  - Triple Shade Jacquard Weave



For fabric colours, types, options and specifications please refer to the [Custom Made Blind Reference Chart](#).

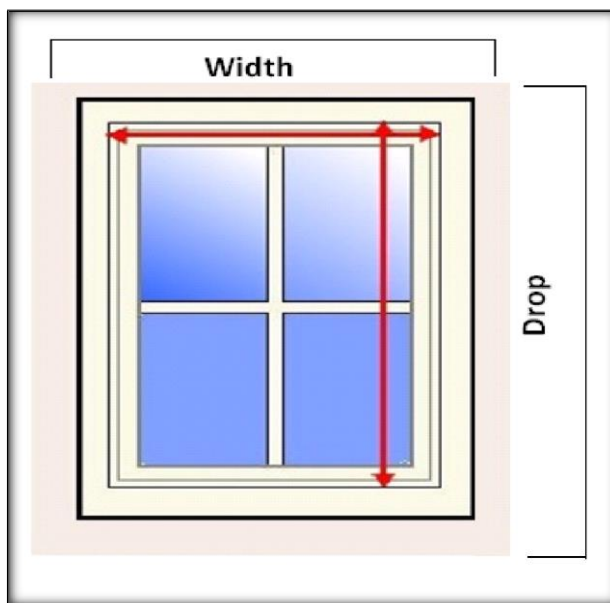
## 6. Measuring

Please note; when blinds are ordered near the maximum size specifications, the weight can affect the operation of the blind.

### 6.1 Recess Fit

#### Recess Fit

- ✓ The blind is to be installed in the recess or reveal of the opening.
- ✓ When measuring in a recess it is important to measure both the width and the drop at three points (*please see below*). The reason for taking three measurements in each direction is to allow for any problem that may occur if the window is out of square. The **smallest measurement is the one that is required**.



#### Width Measurements

Measurements taken at the top, centre and bottom of the opening and the **smallest of these three measurements will be the width measurement**.

#### Drop Measurements

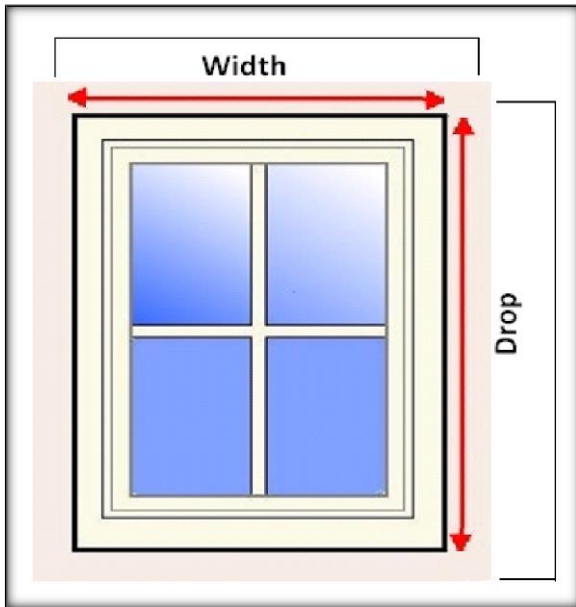
Measurements taken from the left, centre and right sides of the opening and the **smallest of these three measurements will be the drop measurement**.

As per any blind, you can make your own measuring deductions. Ensure that you supply the finished **ACT** (Actual Size) on your order/worksheet. If you would like the factory to make the allowances mark your order **NAM (No Allowances Made)** and the factory will make standard industry deductions, depending on the product ordered.

## 6.2 Face Fit

### Face Fit

- ✓ The blind is to be installed on the face/outside surface or architrave surrounding the window.



### Width Measurement

Measure from the outside edge to the outside edge of the architrave across the width of the window. On a window opening where there is no architrave or window surround, be sure that you measure the blind 100mm above the window opening and that you extend 50mm either side to ensure that light gaps are minimised.

### Drop Measurement

Measure vertically from the top of the architrave to the bottom of the architrave, or to the desired finished length. Where the window is not a full-length window, the width and drop measurements are taken as the finished or actual size of the blind.

As per any blind, you can make your own measuring deductions. Ensure that you supply the finished **ACT (Actual Size)** on your order/worksheet. If you would like the factory to make the allowances mark your order **NAM (No Allowances Made)** and the factory will deduct 10mm off the drop for a face fit blind.

**Please note:** The standard return on a Venetian Blind fascia is a 67mm as an internal measurement. The smallest return is a 25mm internal measurement. Unless otherwise requested, all returns will be made at the standard size (67mm). If returns are required to go back to the wall surface, then the architrave depth measurement should be noted on the order form.

**e.g.: Standard return (67mm) + 20mm architrave depth = 87mm.**

## 7. Ordering Process

All orders for Custom Made Blinds **MUST** be submitted electronically using the latest version of Pacific Wholesale Distributors Custom Made Blinds Order Forms.

References to the Custom Made Blinds Order Forms will be made throughout this manual. If you do not have the latest version of Pacific Wholesale Distributors Custom Made Blinds Order Forms, please contact the office at [support@pacificwholesale.com.au](mailto:support@pacificwholesale.com.au) and request a copy today.

Please see an example of the Pacific Wholesale Distributors Custom Made Blinds Order Forms on the following pages:

## 8. Special Requirement Windows & Options

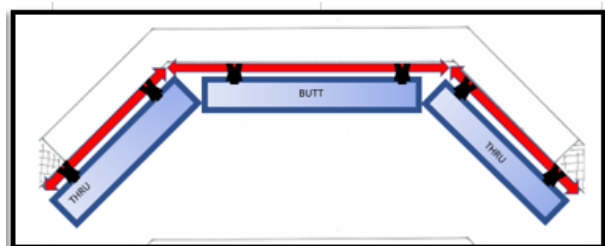
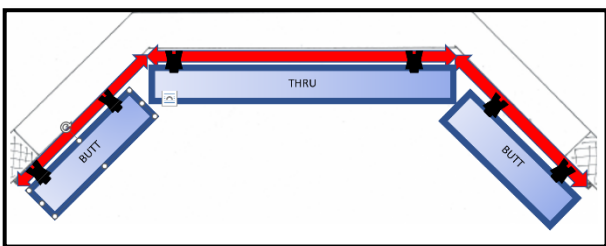
There is a large variety of options that can be supplied for windows with special requirements. Some of these include: Bay Windows, Corner Windows, and Cut Outs for Venetian Blinds. Every requirement is different due to the product type and the application. This section will help to outline the details and special requirements needed to manufacture these types of blinds.

### 8.1 Bay Window

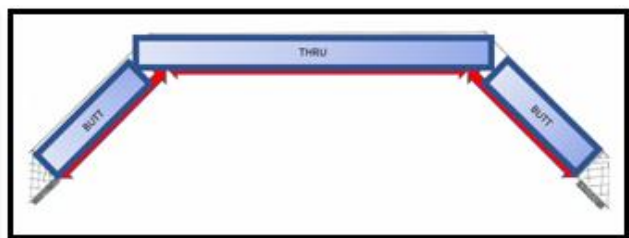
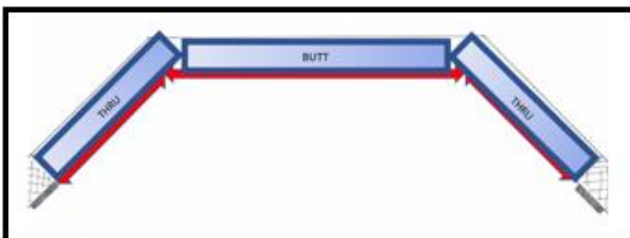
Refer to the diagrams below. When measuring a bay window. Measure in the position indicated by the red arrows. Deductions taken to ensure the blinds fit vary, depending on where the opening is measured, whether it is the Thru or Butt blind, where the blind is to be fitted, and the bracket size or type. It is assumed that Bay Windows are standard 135° angles. Order each blind as a separate item. Indicate each blind clearly on the worksheet and order them as NAM, so the necessary deductions will be made by the fabricator.

To ensure that there is a suitable fixing point for the safety cleat, it is suggested that the controls for Blind A and C are placed on the outside of the window, and for Blind B ensure a mullion/skirting board is accessible, if the control type includes cords.

#### Face Fit – measured at the back of the bracket


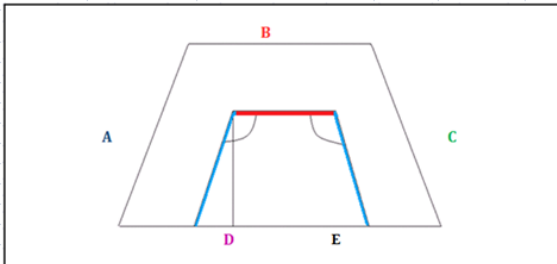


#### Recess Fit – measured at the front of the recess



# Bay Window Order Form

The below Bay Window worksheet can be found on our order form.  
Please make sure this form is completed when ordering this window type.

		CMB BAY WORKSHEET									
<i>Please check all the necessary information is on the Order before submitting.</i>		STORE NAME:		0							
		ACCOUNT NAME:		0							
		WORKSHEET # / PO # :		0							
		DATE:		0/01/1900							
PHONE:	+61 2 8850 9301	EMAIL TO:	<a href="mailto:cmborders@pacificwholesale.com.au">cmborders@pacificwholesale.com.au</a>								
FAX:	+ 61 2 9680 7488	ENQUIRIES:	<a href="mailto:cmborders@pacificwholesale.com.au">cmborders@pacificwholesale.com.au</a>								
											
Room Location	Product	Recess / Face	Allowance ACT / NAM	If Recess: Front/Back Measure	Angle (°)	Measurements (mm)					
						A	B	C	D	E	Drop

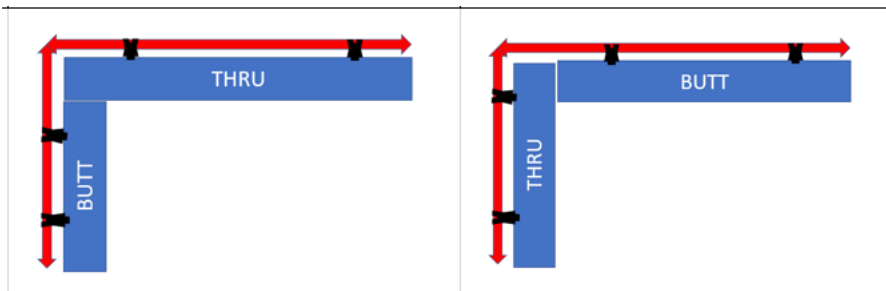


## 8.2 Corner Window

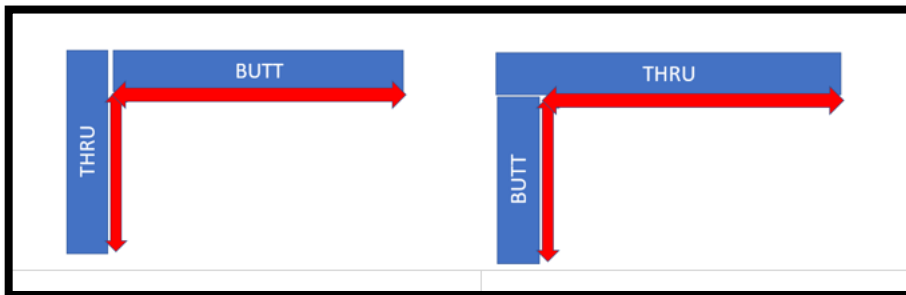
Refer to the diagrams below. When measuring a corner window, measure in the position indicated by the red arrows. Deductions taken to ensure the blinds fit vary, depending on where the opening is measured, whether it is the Thru or Butt, where the blind is to be fitted, and the bracket size or type. It is assumed that Corner Windows are 90o angles. Order each blind as a separate item. Indicate each blind clearly on the worksheet and order them as NAM, so the necessary deductions will be made by the factory.

To ensure that there is a suitable fixing point for the safety cleat, it is suggested that the controls are not placed in the corner of the window.

**Face Fit – measured at the back of the bracket**



**Recess - Front of Recess**



# Corner Window Order Form

The "Thru" and "Butt" window worksheet can be found on our order form. Please make sure this form is completed when ordering this window type.

PACIFIC WHOLESALE DISTRIBUTORS		CMB CORNER WORKSHEET							
Please check all the necessary information is on the Order before submitting.		STORE NAME:	0						
		ACCOUNT NAME:	0						
		WORKSHEET # / PO #:	0						
		DATE:	0/01/1900						
PHONE:	+61 2 8850 9301	EMAIL TO:	<a href="mailto:cmborders@pacificwholesale.com.au">cmborders@pacificwholesale.com.au</a>						
FAX:	+61 2 9680 7488	ENQUIRES:	<a href="mailto:cmborders@pacificwholesale.com.au">cmborders@pacificwholesale.com.au</a>						
<p><b>LEFT HAND CORNER (LH)</b></p>		<p><b>RIGHT HAND CORNER (RH)</b></p>							
Room Location	Product	Left Hand Or Right Hand	Recess / Face	Allowance ACT / NAM	Butt / Thru	If Recess: Front/Back Measure	Measurements (mm)		
							A	B	Drop

## 8.3 Cut Outs - Only for PS Venetians

If a cut out is required, please specify the height from the bottom of the door or frame to the top and bottom of the cut out. If the cut out is difficult, or more than one cut out on each side is required, then a clear drawing will be required.

Please ensure all cells for the cut-out options have been completed before sending through the order.



Gross Open Width	Gross Open Height	Cut Out	Cut Out Height Left	Cut Out Width Left	Cut Out Height Right	Cut Out Width Right
2200	2000	Yes			1100	30

- A. Overall Blind Height
- B. Overall Blind Width
- C. Depth of Cut Out
- D. Cut Out Width

## 9. Sales Aids

### Swatches

We have introduced a range of Sales Aids and swatches that will assist sales people when promoting the Custom-Made Blind Range.

These can be ordered by emailing your order to [support@pacificwholesale.com.au](mailto:support@pacificwholesale.com.au)

An electronic Sales Aids order form is available.

Please email [support@pacificwholesale.com.au](mailto:support@pacificwholesale.com.au) and request a Sample Swatches order form to be emailed.

Please see below for the options available.

### 9.1 50mm and 63mm PS Venetian

\$POA each



## 9.2 Cellular Blinds Folder

\$POA each



### Includes:

- Cellular Blind Cell samples.
- Fabric swatches (all available textures and colours).
- Product information which includes control and functional design options.

## 9.3 Transition Shades Folder

\$POA each



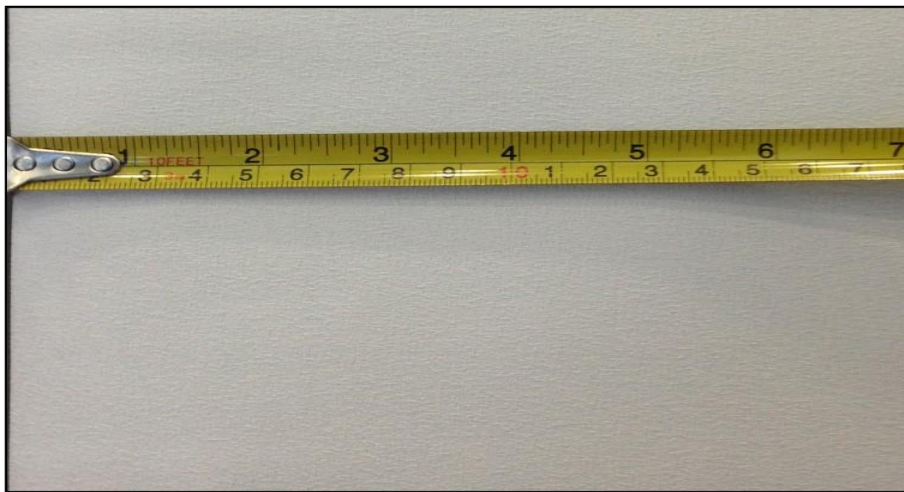
### Includes:

- Transition Shades fabric swatches (all available textures and colours).

## 10. Custom Made Blinds Remake Process

In the event of a Custom Made Blind being received with a defect, the following information must be emailed to [support@pacificwholesale.com.au](mailto:support@pacificwholesale.com.au)

1. A copy of the original order form.
2. A new order form, clearly showing the blind(s) that need remaking. Please specify that the order is a **remake** – failure to do so may result in the original order being placed as a new order at full charge.
3. A detailed description specifying exactly what the concern is and exactly what blind or component needs remaking. Failure to clearly specify this information may result in a longer lead time.
4. Supporting photographs illustrating any concerns. For example – if the blind supplied was cut to short, then you must provide photographs which show a tape measure being held against the blind, to clearly illustrate the size it was supplied at.



# 11. Care and Maintenance

Proper care and maintenance will increase the life of your investment.

## CAUTION:

Never use harsh cloths, harsh abrasives, chlorine or ammonia-based chemicals or cleaners on the Blinds surfaces as they may affect their appearance, longevity and warranty.

**Please note:** to avoid creating a possible strangulation hazard for children, any corded internal window covering must be installed in such a way that a loose cord cannot form a loop 220mm or longer at a height of less than 1600mm above floor level.

**Please also note:** in accordance with this safety legislation, the installation of these products must adhere to the following procedures to avoid creating a possible strangulation hazard for children:

- Check there are no loose cords that a child can reach from the floor, cot, bed or by climbing furniture
- Tie any cords out of reach
- Move any furniture that a child can use to climb on to access operational cords
- Do not remove any child safety locks, or warning tags as per the below image.



## 11.1 Venetian Blinds

Venetian Blinds should be raised and lowered at least once every 2 months to ensure the mechanisms are working properly. Excessive raising and lowering of Venetian Blinds will place unnecessary strain on components and cause premature wear.

Venetian Blinds are designed to be tilted to filter incoming light and closed for privacy. Venetian Blinds should be dusted regularly using a clean soft cloth, feather duster or a vacuum cleaner with a brush attachment to remove accumulated dust. To clean, move along the slats, with the blind in the lowered position, tilt slats (*not entirely closed*) first one way and then tilt the other way to dust both sides and to ensure you reach the top and bottom surfaces of the slats.

If spraying insecticides or any harmful chemicals the blinds must be placed in a raised position. These chemicals **must not** come in contact with the blinds.

Any moving, sliding or pivoting parts should be sprayed using a food grade silicone spray, do not use any abrasive petroleum lubrications.

## 11.2 Cellular Blinds

Cellular Blinds should be dusted regularly using a clean soft cloth, feather duster or a vacuum cleaner with a brush attachment to remove accumulated dust. Tougher stains can be removed using a neutral soap on a damp cloth.

If spraying insecticides or any harmful chemicals the blinds must be placed in a raised position. These chemicals **must not** come in contact with the blinds.

Any moving, sliding or pivoting parts should be sprayed using a food grade silicone spray, do not use any abrasive petroleum lubrications. Ensure that silicone spray does not come into direct contact with the fabric as this could cause permanent staining.

## 11.3 Transition Shades

Transition Shades should be dusted regularly down both sides of the blade, with a soft clean cloth, feather duster or a vacuum cleaner with a brush attachment to remove all accumulated dust. Other stains or marks can be removed using a neutral soap on a damp cloth.

If spraying insecticides or any harmful chemicals the blinds must be placed in a raised position. These chemicals **must not** come in contact with the blinds.

Any moving, sliding or pivoting parts should be sprayed using a food grade silicone spray, do not use any abrasive petroleum lubrications. Ensure that silicone spray does not come into direct contact with the fabric as this could cause permanent staining.



## 12. Custom Made Blinds Questions & Answers

### Q: What is NAM?

A: No Allowance Made – this means you provide the opening size when ordering your blinds and the factory will make the deductions required. Please refer to the [Ordering and Measuring Process](#).

### Q: What is ACT?

A: Actual Size – this means you have made the necessary deductions when ordering your blinds and the factory will make no deductions. Please refer to the [Ordering and Measuring Process](#).

### Q: Can I order a different sized operating Chain or Wand?

A: Yes. If you require a longer or shorter wand, then please specify this in the “Special Comments” section of your order form.

### Q: Can I split the controls for Venetian Blinds?

A: Yes, you can have controls split. This is recommended for easier access and operation of the blinds. Specify what side out you would like each control on at the time of placing your order.

### Q: Do I need pictures of faulty goods?

A: Yes, as these are vital facts which the factory requires to support your claim, and they also help to establish what needs to be replaced in order to achieve a quick resolution. Please refer to the [Custom Made Blinds Remake Process](#).

### Q: Do you need the goods back once we have replaced them?

A: Not unless requested by Pacific.

### Q: What's my lead time on Custom Made Blinds?

A: Usually between 4 and 6 weeks from order confirmation (*i.e. once all information received on the order form is correct and complete without further questions*).

# 13. Custom Made Blinds Reference Chart

Please refer to the following pages.

Material	Venetian Blind			
Custom Made Blind Range	50mm PS Slat	50mm PS Privacy Slat	63mm PS Slat	63mm PS Privacy Slat
Size	Blade Sizes			
50mm	✓	✓		
63mm			✓	✓
	Window Types			
Standard	✓	✓	✓	✓
Side By Side	✓	✓	✓	✓
Corner A Butt	✓	✓	✓	✓
Corner A Thru	✓	✓	✓	✓
Corner B Butt	✓	✓	✓	✓
Corner B Thru	✓	✓	✓	✓
Bay A	✓	✓	✓	✓
Bay B	✓	✓	✓	✓
Bay C	✓	✓	✓	✓
	Blind Heights			
Minimum Blind Height	200mm	200mm	200mm	200mm
Maximum Blind Height	3000mm	3000mm	3000mm	3000mm
	Blinds & Window Widths			
Minimum Blind Width	222mm	222mm	222mm	222mm
Maximum Blind Width	3000mm	3000mm	3000mm	3000mm
Maximum Window Width For Single Blind Option	3000mm	3000mm	3000mm	3000mm
	Fitting Method			
Face Fit	✓	✓	✓	✓
Recess Fit	✓	✓	✓	✓
	Fascia/Pelmet Options			
Fascia/Pelmet Standard Or Option	Standard	Standard	Standard	Standard
Colours	Matched To Blind Colour	Matched To Blind Colour	Matched To Blind Colour	Matched To Blind Colour
Size	85mm	85mm	85mm	85mm
	Special Options Available			
Door Cutouts	✓	✓	✓	✓
Multiple Blinds	✓	✓	✓	✓
Suitable For Wet Areas	✓	✓	✓	✓
	Additional Options Available			
Other Options	Standard Or Common Fascia 67mm Standard Return Or Size As Requested	Standard Or Common Fascia 67mm Standard Return Or Size As Requested	Standard Or Common Fascia 67mm Standard Return Or Size As Requested	Standard Or Common Fascia 67mm Standard Return Or Size As Requested

Material		Venetian Blind			
Custom Made Blind Range		50mm PS Slat	50mm PS Privacy Slat	63mm PS Slat	63mm PS Privacy Slat
<b>Selling Features</b>		<i>Wide Range Of Colours</i>	<i>Superior Privacy &amp; Light Shielding</i>	<i>Wide Range Of Colours</i>	<i>Superior Privacy &amp; Light Shielding</i>
		<b>Material</b>			
Material		Polystyrene PS	Polystyrene PS	Polystyrene PS	Polystyrene PS
		<b>Advantages</b>			
Termite Proof		✓	✓	✓	✓
Insulative Properties <i>Keeps Homes Both Cooler In Summer &amp; Warmer In Winter</i>		✓	✓	✓	✓
Repels Moisture		✓	✓	✓	✓
Colour	Finish	<b>Colour Options</b>			
<b>Colour</b>	<i>Painted</i>	Antique White V140 Arctic Snow Plain PS103-P Ivory Plain PS207-P Shaded Grey P305 Silver Button P304 White V186	Antique White V140 Arctic Snow Plain PS103-P Ivory Plain PS207-P Shaded Grey P305 Silver Button P304 White V186	Antique White V140 Arctic Snow Plain PS103-P White V186	Antique White V140 Arctic Snow Plain PS103-P White V186

Blind Type	Single Cellular											
Cell size - 25mm												
Operation Type	Corded			Cordless			Clutch			Motorised		
	Corded Standard	Corded Day Night	Corded Top Down, Bottom Up	Cordless Standard	Cordless Day Night	Cordless Top Down, Bottom Up	Clutch Standard	Clutch Day Night	Clutch Top Down, Bottom Up	Motorised Standard	Motorised Day Night	Motorised Top Down, Bottom Up
Size	Blade Sizes											
25mm	✓	✓	✓	✓	✓	✓	✓	✓	✓	✓	✓	✓
Window Types												
Standard	✓	✓	✓	✓	✓	✓	✓	✓	✓	✓	✓	✓
Side By Side	✓	✓	✓	✓	✓	✓	✓	✓	✓	✓	✓	✓
Corner A Butt	✓	✓	✓	✓	✓	✓	✓	✓	✓	✓	✓	✓
Corner A Thru	✓	✓	✓	✓	✓	✓	✓	✓	✓	✓	✓	✓
Corner B Butt	✓	✓	✓	✓	✓	✓	✓	✓	✓	✓	✓	✓
Corner B Thru	✓	✓	✓	✓	✓	✓	✓	✓	✓	✓	✓	✓
Bay A	✓	✓	✓	✓	✓	✓	✓	✓	✓	✓	✓	✓
Bay B	✓	✓	✓	✓	✓	✓	✓	✓	✓	✓	✓	✓
Bay C	✓	✓	✓	✓	✓	✓	✓	✓	✓	✓	✓	✓
Blind Heights												
Minimum Blind Height	25mm	200mm	300mm	200mm	200mm	300mm	200mm	200mm	300mm	200mm	200mm	200mm
Maximum Blind Height		2500mm	2500mm	2500mm	2100mm	2100mm	2100mm	2500mm	2500mm	2500mm	2500mm	2500mm
Maximum Total Square Metre's Per Blind												
25mm Blind	7.5m <sup>2</sup>	4.56m <sup>2</sup>	7.5m <sup>2</sup>	5.04m <sup>2</sup>	5.04m <sup>2</sup>	5.04m <sup>2</sup>	7.5m <sup>2</sup>	6.4m <sup>2</sup>	7.32m <sup>2</sup>	7.5m <sup>2</sup>	7m <sup>2</sup>	7.5m <sup>2</sup>
Blind Widths												
Minimum Blind Width	200mm	450mm	450mm	250mm	550mm	550mm	300mm	570mm <sup>*</sup>	570mm <sup>*</sup>	710mm (Battery) 620mm (Powered With Adapter)	910mm <sup>1</sup> - 1200mm (Battery Wand Control) 850mm - 1000mm (Powered With Adapter)	910mm <sup>1</sup> - 1200mm (Battery Wand Control) 850mm - 1000mm (Powered With Adapter)
Maximum Blind Width	3000mm	3000mm	3000mm	2400mm	2400mm	2400mm	3000mm	3000mm	3000mm	3000mm	3000mm	3000mm
Fitting Method												
Face Fit	✓	✓	✓	✓	✓	✓	✓	✓	✓	✓	✓	✓
Recess Fit	✓	✓	✓	✓	✓	✓	✓	✓	✓	✓	✓	✓
Head Rail/Fascia/Pelmet Options												
Fascia/Pelmet Standard Or Option	Standard	Standard	Standard	Standard	Standard	Standard	Standard	Standard	Standard	Standard	Standard	Standard
Colours	Matched To Blind Colour	Matched To Blind Colour	Matched To Blind Colour	Matched To Blind Colour	Matched To Blind Colour	Matched To Blind Colour	Matched To Blind Colour	Matched To Blind Colour	Matched To Blind Colour	Matched To Blind Colour	Matched To Blind Colour	Matched To Blind Colour
Fabric Insert	x	x	x	x	x	x	x	x	x	x	x	x
Special Options Available												
Door Cutouts	x	x	x	x	x	x	x	x	x	x	x	x
Multiple Blinds	✓	✓	✓	✓	✓	✓	✓	✓	✓	✓	✓	✓
Suitable For Wet Areas	x	x	x	x	x	x	x	x	x	x	x	x
Motorisation Information	<p>The Motorised Options are;</p> <p>Battery Operated Motor with Wand or Remote. Battery Operated Blinds use 8 x AA Batteries per Blind. (batteries not included) These are not recommended for frequent use as the batteries may require regular changing. The batteries will need replacing according to the frequency of use and are not rechargeable. Motorised Battery options are not recommended for high window area's (due to the requirements to change batteries).</p> <p>Powered Operated Motor With Power Adapter (Hardwired Motor) with Wand or Remote. These use a 240V Mains Plug and will require a power point/socket close to the Blind. The Blinds will need a continuous power source to operate.</p> <p>Rechargeable Battery Operated Motor With Power Adapter with Wand or Remote. These use a 240V Mains Plug and will require a power point/socket close to the Blind when recharging the battery. This option is not available for Skylight Motorised Blinds.</p> <p>* Clutch Day Night, One Control Cord minimum width is; 600mm (Height &lt; 2000mm), 700mm (Height ≥ 2000mm). Clutch Cord is supplied as Cotton/White, unless specified otherwise</p>											
Notes	<p><sup>1</sup> Motorised Day Night &amp; Motorised Top Down, Bottom Up Minimum Widths; 910mm (Battery - Simple Touch Wand) 1200mm (Battery - Simple Touch Wireless Remote) 850mm (Powered Operated Motor With Power Adapter - Simple Touch Wand) 1000mm (Powered Operated Motor With Power Adapter - Simple Touch Wireless Remote) <sup>†</sup> Motorised Skylight Side Channels available in White only.</p>											

Blind Type	Single Cellular											
	Cell Size - 25mm											
	Corded			Cordless			Clutch			Motorised		
Operation Type	Corded Standard	Corded Day Night	Corded Top Down, Bottom Up	Cordless Standard	Cordless Day Night	Cordless Top Down, Bottom Up	Clutch Standard	Clutch Day Night	Clutch Top Down, Bottom Up	Motorised Standard	Motorised Day Night	Motorised Top Down, Bottom Up
Selling Features	Selling Features											
Selling Features	Smaller Headbox Insulation Ideal For Smaller Drops	Light Filtering & Blockout Configuration  Smaller Headbox Insulation Ideal For Smaller Drops	Increased Level Of Control & Privacy  Smaller Headbox Insulation Ideal For Smaller Drops	No Chains Or Cords Easy Operation Child Safe Insulation	Light Filtering & Blockout Configuration  No Chains Or Cords Easy Operation Child Safe Insulation	Increased Level Of Control & Privacy  No Chains Or Cords Easy Operation Child Safe Insulation	Clutch Assisted Operation Insulation	Light Filtering & Blockout Configuration  Clutch Assisted Operation Insulation	Increased Level Of Control & Privacy  Clutch Assisted Operation Insulation	Easy Operation Motorised Wand Control Or Remote No Chains Or Cords Child Safe Insulation	Light Filtering & Blockout Configuration Easy Operation Motorised Wand Control Or Remote No Chains Or Cords Child Safe Insulation	Increased Level Of Control & Privacy Easy Operation Motorised Wand Control Or Remote No Chains Or Cords Child Safe Insulation
	Advantages											
Insulative Properties Keeps Homes Both Cooler In Summer & Warmer In Winter	✓	✓	✓	✓	✓	✓	✓	✓	✓	✓	✓	✓
Fade Resistant	✓	✓	✓	✓	✓	✓	✓	✓	✓	✓	✓	✓
Child Safe	✗	✗	✗	✓	✓	✓	✗	✗	✗	✓	✓	✓
Dust Resistant	✓	✓	✓	✓	✓	✓	✓	✓	✓	✓	✓	✓
Mould Resistant	✓	✓	✓	✓	✓	✓	✓	✓	✓	✓	✓	✓
Repels Moisture	✓	✓	✓	✓	✓	✓	✓	✓	✓	✓	✓	✓
PVC Free	✓	✓	✓	✓	✓	✓	✓	✓	✓	✓	✓	✓
	Fabric Options											
Blockout Standard	Alabaster, Avocado, Black, Bordeaux, Cocoa, Cotton, Fawn, Federal Blue, Gray Sheen, Jean Blue, Ocher, Onion, Pink Flamingo, Pongee, Royal Purple											
Translucent Standard	Agate Red, Alabaster, Avocado, Biscuit, Black, Bordeaux, Cocoa, Cotton, Cream, Fawn, Grey Sheen, Jean Bue, Marine Blue, Ocher, Onion, Pink Flamingo, Pongee, Roseate, Royal Gray, Royal Purple, Snow White, Spring Green, Stone Red, Tan, Terra Cotta, Water Green, White Dove, Wisteria											
Translucent Paisley	Bordeaux, Cocoa, Fawn, Pongee, Royal Purple											
Translucent Sheer	Anthracite, Avocado, Black, Alabaster, Cocoa, Cotton, Fawn, Gray Sheen, Pink Flamingo, Snow White											
Translucent Thatched	Avocado, Cocoa, Fawn, Pongee, Terra Cotta											
Translucent Woven	Avocado, Cocoa, Cotton, Fawn, Onion											
Day Night Option Available												
Day Night Colours	Day Night Can Be Ordered With Any Combination Of The Same Cell Size Blockout & Translucent Colours.											

Blind Type	Single Cellular														
	Cell Size - 38mm													Skylight Cellular Blinds Are Available In 38mm Single Cell Only	
	Corded			Cordless			Clutch			Motorised			Skylight		
Operation Type	Corded Standard	Corded Day Night	Corded Top Down, Bottom Up	Cordless Standard	Cordless Day Night	Cordless Top Down, Bottom Up	Clutch Standard	Clutch Day Night	Clutch Top Down, Bottom Up	Motorised Standard	Motorised Day Night	Motorised Top Down, Bottom Up	Cordless Standard	Motorised Standard	
Size	Blade Sizes														
38mm	✓	✓	✓	✓	✓	✓	✓	✓	✓	✓	✓	✓	✓	✓	
	Window Types														
Standard	✓	✓	✓	✓	✓	✓	✓	✓	✓	✓	✓	✓	✓	✓	
Side By Side	✓	✓	✓	✓	✓	✓	✓	✓	✓	✓	✓	✓	✓	✓	
Corner A Butt	✓	✓	✓	✓	✓	✓	✓	✓	✓	✓	✓	✓	✓	✓	
Corner A Thru	✓	✓	✓	✓	✓	✓	✓	✓	✓	✓	✓	✓	✓	✓	
Corner B Butt	✓	✓	✓	✓	✓	✓	✓	✓	✓	✓	✓	✓	✓	✓	
Corner B Thru	✓	✓	✓	✓	✓	✓	✓	✓	✓	✓	✓	✓	✓	✓	
Bay A	✓	✓	✓	✓	✓	✓	✓	✓	✓	✓	✓	✓	✓	✓	
Bay B	✓	✓	✓	✓	✓	✓	✓	✓	✓	✓	✓	✓	✓	✓	
Bay C	✓	✓	✓	✓	✓	✓	✓	✓	✓	✓	✓	✓	✓	✓	
	Blind Heights														
Minimum Blind Height	38mm		200mm	300mm	200mm	200mm	300mm	200mm	300mm	200mm	200mm	200mm	200mm	300mm	600mm
Maximum Blind Height	38mm		3600mm	3600mm	3600mm	2100mm	2100mm	2100mm	3000mm	3000mm	3000mm	3000mm	3000mm	2100mm	2100mm
	Maximum Total Square Metre's Per Blind														
38mm Blind	10.8m <sup>2</sup>	5.5m <sup>2</sup>	10.8m <sup>2</sup>	5.04m <sup>2</sup>	5.04m <sup>2</sup>	5.04m <sup>2</sup>	9m <sup>2</sup>	6.4m <sup>2</sup>	7.32m <sup>2</sup>	9m <sup>2</sup>	7m <sup>2</sup> Blockout & Translucent 7m <sup>2</sup> Blockout & Lattice 5.5m <sup>2</sup> Blockout & Woven	9m <sup>2</sup>	5.04m <sup>2</sup>	5.04m <sup>2</sup>	
	Blind Widths														
Minimum Blind Width	200mm	450mm	450mm	250mm	550mm	550mm	300mm	570mm *	570mm *	710mm (Battery) 620mm (Powered With Adapter)	910mm - 1200mm (Battery Wand Control) 850mm - 1000mm (Powered With Adapter)	910mm - 1200mm (Battery Wand Control) 850mm - 1000mm (Powered With Adapter)	450mm	620mm (Powered With Adapter)	
Maximum Blind Width	3000mm	3000mm	3000mm	2400mm	2400mm	2400mm	3000mm	3000mm	3000mm	3000mm	3000mm	3000mm	2400mm	2400mm	
	Fitting Method														
Face Fit	✓	✓	✓	✓	✓	✓	✓	✓	✓	✓	✓	✓	✓	✓	
Recess Fit	✓	✓	✓	✓	✓	✓	✓	✓	✓	✓	✓	✓	✓	✓	
	Head Rail/Fascia/Pelmet Options														
Fascia/Pelmet Standard Or Option	Standard	Standard	Standard	Standard	Standard	Standard	Standard	Standard	Standard	Standard	Standard	Standard	Standard	Standard	
Colours	Matched To Blind Colour	Matched To Blind Colour	Matched To Blind Colour	Matched To Blind Colour	Matched To Blind Colour	Matched To Blind Colour	Matched To Blind Colour	Matched To Blind Colour	Matched To Blind Colour	Matched To Blind Colour	Matched To Blind Colour	Matched To Blind Colour	Matched To Blind Colour	* Matched To Blind Colour	
Fabric Insert	x	x	x	x	x	x	x	x	x	x	x	x	x	x	
	Special Options Available														
Door Cutouts	x	x	x	x	x	x	x	x	x	x	x	x	x	x	
Multiple Blinds	✓	✓	✓	✓	✓	✓	✓	✓	✓	✓	✓	✓	✓	x	
Suitable For Wet Areas	x	x	x	x	x	x	x	x	x	x	x	x	x	x	
Motorisation Information	<p><i>The Motorised Options are;</i></p> <p><b>Battery Operated Motor with Wand or Remote. Battery Operated Blinds use 8 x AA Batteries per Blind. (batteries not included)</b> These are not recommended for frequent use as the batteries may require regular changing. The batteries will need replacing according to the frequency of use and are not rechargeable. Motorised Battery options are not recommended for high window area's (due to the requirements to change batteries).</p> <p><b>Powered Operated Motor With Power Adapter (Hardwired Motor) with Wand or Remote.</b> These use a 240V Mains Plug and will require a power point/socket close to the Blind. The Blinds will need a continuous power source to operate.</p> <p><b>Rechargeable Battery Operated Motor With Power Adapter with Wand or Remote.</b> These use a 240V Mains Plug and will require a power point/socket close to the Blind when recharging the battery. This option is not available for Skylight Motorised Blinds.</p> <p>* Clutch Day Night. One Control Card minimum width is: 600mm (Height &lt; 2000mm), 700mm (Height ≥ 2000mm). Clutch Cord is supplied as Cotton/White, unless specified otherwise</p>														
Notes	<p><sup>1</sup> Motorised Day Night &amp; Motorised Top Down, Bottom Up Minimum Widths: 910mm (Battery - Simple Touch Wand) 1200mm (Battery - Simple Touch Wireless Remote) 850mm (Powered Operated Motor With Power Adapter - Simple Touch Wand) 1000mm (Powered Operated Motor With Power Adapter - Simple Touch Wireless Remote) <sup>2</sup> Motorised Skylight Side Channels available in White only.</p>														

# Custom Made Cellular Blind Range Reference Chart V23

Blind Type	Single Cellular													
	Cell Size - 38mm												Skylight Cellular Blinds Are Available In 38mm Single Cell Only	
	Corded			Cordless			Clutch			Motorised			Skylight	
Operation Type	Corded Standard	Corded Day Night	Corded Top Down, Bottom Up	Cordless Standard	Cordless Day Night	Cordless Top Down, Bottom Up	Clutch Standard	Clutch Day Night	Clutch Top Down, Bottom Up	Motorised Standard	Motorised Day Night	Motorised Top Down, Bottom Up	Cordless Standard	Motorised Standard
Selling Features	Smaller Headbox Insulation Ideal For Smaller Drops	Light Filtering & Blockout Configuration Smaller Headbox Insulation Ideal For Smaller Drops	Increased Level Of Control & Privacy Smaller Headbox Insulation Ideal For Smaller Drops	No Chains Or Cords Easy Operation Child Safe Insulation	Light Filtering & Blockout Configuration No Chains Or Cords Easy Operation Child Safe Insulation	Increased Level Of Control & Privacy No Chains Or Cords Easy Operation Child Safe Insulation	Clutch Assisted Operation Insulation	Light Filtering & Blockout Configuration Clutch Assisted Operation Insulation	Increased Level Of Control & Privacy Clutch Assisted Operation Insulation	Easy Operation Motorised Wand Control Or Remote No Chains Or Cords Child Safe Insulation	Light Filtering & Blockout Configuration Easy Operation Motorised Wand Control Or Remote No Chains Or Cords Child Safe Insulation	Increased Level Of Control & Privacy Easy Operation Motorised Wand Control Or Remote No Chains Or Cords Child Safe Insulation	Great Solution For Skylight Windows No Chains Or Cords Easy Operation Child Safe Insulation Easy To Reach Extendable Pole Available	The Ultimate Solution For Hard-To-Reach Skylight Windows Easy Operation Motorised Remote No Chains Or Cords Child Safe Insulation
Advantages														
Insulative Properties Keeps Homes Both Cooler In Summer & Warmer In Winter	✓	✓	✓	✓	✓	✓	✓	✓	✓	✓	✓	✓	✓	✓
Fade Resistant	✓	✓	✓	✓	✓	✓	✓	✓	✓	✓	✓	✓	✓	✓
Child Safe	x	x	x	✓	✓	✓	x	x	x	✓	✓	✓	✓	✓
Dust Resistant	✓	✓	✓	✓	✓	✓	✓	✓	✓	✓	✓	✓	✓	✓
Mould Resistant	✓	✓	✓	✓	✓	✓	✓	✓	✓	✓	✓	✓	✓	✓
Repels Moisture	✓	✓	✓	✓	✓	✓	✓	✓	✓	✓	✓	✓	✓	✓
PVC Free	✓	✓	✓	✓	✓	✓	✓	✓	✓	✓	✓	✓	✓	✓
Fabric Options														
Blockout Standard	Alabaster, Anthracite, Aqua Glass, Avocado, Black, Bordeaux, Buff Yellow, Cloak Gray, Cocoa, Cotton, Crystal Pink, Dark Chocolate, Fawn, Federal Blue, Gray Ridge, Gray Sheen, Ironstone, Jean Blue, Ocher, Onion, Orion Blue, Pink Flamingo, Pongee, Royal Purple, Roycraft Bottle Green, Sticks & Stones, White Dove												Skylight Cellular Blinds Are Available In All 38mm Single Cell Fabric Ranges & Colours Only	
Blockout Bamboo Print	Antique Pewter, Avocado, Dark Chocolate, Dark Gray B, Gray Sheen, Jean Blue, Pongee, Pongee, Royal Gray, Sticks & Stones													
Translucent Standard	Agate Red, Alabaster, Anthracite, Antique Pewter, Avocado, Biscuit, Black, Bordeaux, Cloak Gray, Cocoa, Cotton, Cream, Cyberspace, Dark Chocolate, Fawn, Grey Sheen, Ironstone, Jean Bue, Marine Blue, Ocher, Onion, Pier, Pink Flamingo, Pongee, Roseate, Royal Gray, Royal Purple, Roycraft Bottle Green, Roycraft Mist Gray, Snow White, Spring Green, Sticks & Stones, Stone Red, Tan, Terra Cotta, Warm Cocoa, Water Green, White Dove, Wisteria													
Translucent Bamboo Print	Antique Pewter, Avocado, Dark Chocolate, Dark Gray B, Gray Sheen, Jean Blue, Pongee, Royal Gray, Sticks & Stones													
Translucent Crepe Woven	Cotton, Cornsilk A, Fawn A, Mink A, Chocolate, Espresso A, Royal Gray A, Light Aquamarine, Light Olive Green, Fire Brick A, Tumbleweed, Sangria A, Acacia Haze, Wild Ginger, Navy, Gray Moss, Plebian Blue, Stallion, Gourmet Chocolate, Anthracite													
Translucent Crush	Cocoa, Cotton, Fawn, White Dove, Winter White													
Translucent Linen	Agate Red, Avocado, Cocoa, Jean Blue, Royal Gray, Royal Purple													
Translucent Paisley	Bordeaux, Cocoa, Fawn, Pongee, Royal Purple													
Translucent Sheer	Anthracite, Avocado, Black, Alabaster, Cocoa, Cotton, Fawn, Gray Sheen, Pink Flamingo, Snow White													
Translucent Sheer A	Cotton, Alabaster, Gray Sheen, Snow White													
Translucent Slub Woven	Alabaster, Black, Cocoa, Cotton, Gray Sheen													
Translucent Thatched	Avocado, Cocoa, Fawn, Pongee, Terra Cotta													
Translucent Woven	Anthracite, Antique Pewter, Avocado, Cocoa, Cotton, Fawn, French Press, Ironstone, Onion, White Dove													
Day Night Option Available														
Day Night Colours	Day Night Can Be Ordered With Any Combination Of The Same Cell Size Blockout & Translucent Colours.													



Blind Type	Single Cellular											
Cell Size - 45mm												
Operation Type	Corded			Cordless			Clutch			Motorised		
	Corded Standard	Corded Day Night	Corded Top Down, Bottom Up	Cordless Standard	Cordless Day Night	Cordless Top Down, Bottom Up	Clutch Standard	Clutch Day Night	Clutch Top Down, Bottom Up	Motorised Standard	Motorised Day Night	Motorised Top Down, Bottom Up
Size	Blade Sizes											
45mm	✓	✓	✓	✓	✓	✓	✓	✓	✓	✓	✓	✓
	Window Types											
Standard	✓	✓	✓	✓	✓	✓	✓	✓	✓	✓	✓	✓
Side By Side	✓	✓	✓	✓	✓	✓	✓	✓	✓	✓	✓	✓
Corner A Butt	✓	✓	✓	✓	✓	✓	✓	✓	✓	✓	✓	✓
Corner A Thru	✓	✓	✓	✓	✓	✓	✓	✓	✓	✓	✓	✓
Corner B Butt	✓	✓	✓	✓	✓	✓	✓	✓	✓	✓	✓	✓
Corner B Thru	✓	✓	✓	✓	✓	✓	✓	✓	✓	✓	✓	✓
Bay A	✓	✓	✓	✓	✓	✓	✓	✓	✓	✓	✓	✓
Bay B	✓	✓	✓	✓	✓	✓	✓	✓	✓	✓	✓	✓
Bay C	✓	✓	✓	✓	✓	✓	✓	✓	✓	✓	✓	✓
	Blind Heights											
Minimum Blind Height	45mm	200mm	300mm	200mm	200mm	300mm	200mm	200mm	300mm	200mm	200mm	200mm
Maximum Blind Height		3600mm	3600mm	3600mm	2100mm	2100mm	2100mm	3000mm	300mm	3000mm	3000mm	3000mm
	Maximum Total Square Metre's Per Blind											
45mm Blind	10.8m <sup>2</sup>	5.5m <sup>2</sup>	10.8m <sup>2</sup>	5.04m <sup>2</sup>	5.04m <sup>2</sup>	5.04m <sup>2</sup>	9m <sup>2</sup>	6.4m <sup>2</sup>	7.32m <sup>2</sup>	9m <sup>2</sup>	7m <sup>2</sup> Blockout & Translucent 7m <sup>2</sup> Blockout & Lattice 5.5m <sup>2</sup> Blockout & Woven	9m <sup>2</sup>
	Blind Widths											
Minimum Blind Width	200mm	450mm	450mm	250mm	550mm	550mm	300mm	570mm <sup>1</sup>	570mm <sup>1</sup>	710mm (Battery) 620mm (Powered With Adapter)	910mm - 1200mm (Battery Wand Control) 850mm - 1000mm (Powered With Adapter)	910mm - 1200mm (Battery Wand Control) 850mm - 1000mm (Powered With Adapter)
Maximum Blind Width	3000mm	3000mm	3000mm	2400mm	2400mm	2400mm	3000mm	3000mm	3000mm	3000mm	3000mm	3000mm
	Fitting Method											
Face Fit	✓	✓	✓	✓	✓	✓	✓	✓	✓	✓	✓	✓
Recess Fit	✓	✓	✓	✓	✓	✓	✓	✓	✓	✓	✓	✓
	Head Rail/Fascia/Pelmet Options											
Fascia/Pelmet Standard Or Option	Standard	Standard	Standard	Standard	Standard	Standard	Standard	Standard	Standard	Standard	Standard	Standard
Colours	Matched To Blind Colour	Matched To Blind Colour	Matched To Blind Colour	Matched To Blind Colour	Matched To Blind Colour	Matched To Blind Colour	Matched To Blind Colour	Matched To Blind Colour	Matched To Blind Colour	Matched To Blind Colour	Matched To Blind Colour	Matched To Blind Colour
Fabric Insert	x	x	x	x	x	x	x	x	x	x	x	x
	Special Options Available											
Door Cutouts	x	x	x	x	x	x	x	x	x	x	x	x
Multiple Blinds	✓	✓	✓	✓	✓	✓	✓	✓	✓	✓	✓	✓
Suitable For Wet Areas	x	x	x	x	x	x	x	x	x	x	x	x
Motorisation Information	<p>The Motorised Options are;</p> <p><b>Battery Operated Motor with Wand or Remote. Battery Operated Blinds use 8 x AA Batteries per Blind. (batteries not included)</b> These are not recommended for frequent use as the batteries may require regular changing. The batteries will need replacing according to the frequency of use and are not rechargeable. Motorised Battery options are not recommended for high window area's (due to the requirements to change batteries).</p> <p><b>Powered Operated Motor With Power Adapter (Hardwired Motor) with Wand or Remote.</b> These use a 240V Mains Plug and will require a power point/socket close to the Blind. The Blinds will need a continuous power source to operate.</p> <p><b>Rechargeable Battery Operated Motor With Power Adapter with Wand or Remote.</b> These use a 240V Mains Plug and will require a power point/socket close to the Blind when recharging the battery. This option is not available for Skylight Motorised Blinds.</p> <p>* Clutch Day Night, One Control Cord minimum width is; 600mm (Height &lt; 2000mm), 700mm (Height ≥ 2000mm). Clutch Cord is supplied as Cotton/White, unless specified otherwise</p>											
Notes	<p><sup>1</sup> Motorised Day Night &amp; Motorised Top Down, Bottom Up Minimum Widths; 910mm (Battery - Simple Touch Wand) 1200mm (Battery - Simple Touch Wireless Remote) 850mm (Powered Operated Motor With Power Adapter - Simple Touch Wand) 1000mm (Powered Operated Motor With Power Adapter - Simple Touch Wireless Remote) <sup>2</sup> Motorised Skylight Side Channels available in White only.</p>											

Blind Type	Single Cellular											
	Cell Size - 45mm											
	Corded			Cordless			Clutch			Motorised		
Operation Type	Corded Standard	Corded Day Night	Corded Top Down, Bottom Up	Cordless Standard	Cordless Day Night	Cordless Top Down, Bottom Up	Clutch Standard	Clutch Day Night	Clutch Top Down, Bottom Up	Motorised Standard	Motorised Day Night	Motorised Top Down, Bottom Up
<b>Selling Features</b>	Selling Features											
	Smaller Headbox Insulation Ideal For Smaller Drops	Light Filtering & Blockout Configuration  Smaller Headbox Insulation Ideal For Smaller Drops	Increased Level Of Control & Privacy  Smaller Headbox Insulation Ideal For Smaller Drops	No Chains Or Cords Easy Operation Child Safe Insulation	Light Filtering & Blockout Configuration  No Chains Or Cords Easy Operation Child Safe Insulation	Increased Level Of Control & Privacy  No Chains Or Cords Easy Operation Child Safe Insulation	Clutch Assisted Operation Insulation	Light Filtering & Blockout Configuration  Clutch Assisted Operation Insulation	Increased Level Of Control & Privacy  Clutch Assisted Operation Insulation	Easy Operation Motorised Wand Control Or Remote No Chains Or Cords Child Safe Insulation	Light Filtering & Blockout Configuration Easy Operation Motorised Wand Control Or Remote No Chains Or Cords Child Safe Insulation	Increased Level Of Control & Privacy Easy Operation Motorised Wand Control Or Remote No Chains Or Cords Child Safe Insulation
	Advantages											
Insulative Properties Keeps Homes Both Cooler In Summer & Warmer In Winter	✓	✓	✓	✓	✓	✓	✓	✓	✓	✓	✓	✓
Fade Resistant	✓	✓	✓	✓	✓	✓	✓	✓	✓	✓	✓	✓
Child Safe	x	x	x	✓	✓	✓	x	x	x	✓	✓	✓
Dust Resistant	✓	✓	✓	✓	✓	✓	✓	✓	✓	✓	✓	✓
Mould Resistant	✓	✓	✓	✓	✓	✓	✓	✓	✓	✓	✓	✓
Repels Moisture	✓	✓	✓	✓	✓	✓	✓	✓	✓	✓	✓	✓
PVC Free	✓	✓	✓	✓	✓	✓	✓	✓	✓	✓	✓	✓
	Fabric Options											
Blockout Standard	Antique Red, Bottle Of Bordeaux, Cotton, Fresh Brew, In The Navy, Poppyseed, Stormy Sky											
Blockout Lux-Linen	Cotton, Chantilly Lace, Cotswold, Royal Gray A, Hazy Skies, Taos Taupe											
Blockout Woodgrain	Amazing Gray, Gray Matters, Tony Taupe, Accessible Beige, Gray Screen											
Blockout Woodgrain Linen	Blanched Almond A, Dawn Gray, Silver Gray, Light Walnut, Coral Black											
Blockout Marble	Worldly Gray, Passive, Amazing Worldly Gray, Gray Ponder, Gray Online											
Blockout Sala	Stone Harbor, Stormy Gray, Argos White, Gray White, Passive White											
Translucent Standard	Antique Red, Bottle Of Bordeaux, Cotton, Fresh Brew, In The Navy, Poppyseed, Salamander, Silhouette, Silken Peacock, Stormy Sky											
Translucent Crepe Woven	Cotton, Cornsilk A, Fawn A, Mink A, Chocolate, Espresso A, Royal Gray A, Light Aquamarine, Light Olive Green, Fire Brick A, Tumbleweed, Sangria A, Acacia Haze, Wild Ginger, Navy, Gray Moss, Plebian Blue, Stallion, Gourmet Chocolate, Anthracite											
Translucent Lux-Linen	Chantilly Lace, Cotswold, Cotton, Hazy Skies, Royal Gray A, Taos Taupe											
Translucent Marble	Amazing Worldly Gray, Gray Online, Gray Ponder, Passive, Worldly Gray											
Translucent Sala	Argos White, Gray White, Passive White, Stone Harbour, Stormy Gray											
Translucent Sheer	Alabaster, Cocoa, Cotton, Grey Sheen											
Translucent Woodgrain	Accessible Beige, Amazing Gray, Gray Matters, Gray Screen, Tony Taupe											
Translucent Woodgrain Linen	Blanched Almond A, Dawn Gray, Silver Gray, Light Walnut, Coral Black											
Day Night Option Available												
Day Night Colours	Day Night Can Be Ordered With Any Combination Of The Same Cell Size Blockout & Translucent Colours.											

Blind Type		Cell-In-Cell Cellular											Double Cellular													
		Cell-In-Cell Cellular Blinds Are Available In 45mm Cell Size Only											Double Cellular Blinds Are Available In 38mm													
		Corded			Cordless			Clutch			Motorised			Corded			Cordless			Clutch			Motorised			
Operation Type		Corded Standard	Corded Day Night	Corded Top Down, Bottom Up	Cordless Standard	Cordless Day Night	Cordless Top Down, Bottom Up	Clutch Standard	Clutch Day Night	Clutch Top Down, Bottom Up	Motorised Standard	Motorised Day Night	Motorised Top Down, Bottom Up	Corded Standard	Corded Day Night	Corded Top Down, Bottom Up	Cordless Standard	Cordless Day Night	Cordless Top Down, Bottom Up	Clutch Standard	Clutch Day Night	Clutch Top Down, Bottom Up	Motorised Standard	Motorised Day Night	Motorised Top Down, Bottom Up	
Size		Blade Sizes																								
25mm																										
38mm													✓	✓	✓	✓	✓	✓	✓	✓	✓	✓	✓	✓	✓	
45mm		✓	✓	✓	✓	✓	✓	✓	✓	✓	✓	✓	✓	✓	✓	✓	✓	✓	✓	✓	✓	✓	✓	✓	✓	
		Window Types																								
Standard		✓	✓	✓	✓	✓	✓	✓	✓	✓	✓	✓	✓	✓	✓	✓	✓	✓	✓	✓	✓	✓	✓	✓	✓	
Side By Side			✓	✓		✓	✓	✓		✓	✓	✓		✓	✓	✓		✓	✓	✓		✓	✓	✓	✓	
Corner A Butt			✓	✓		✓	✓	✓		✓	✓	✓		✓	✓	✓		✓	✓	✓		✓	✓	✓	✓	
Corner A Thru			✓	✓		✓	✓	✓		✓	✓	✓		✓	✓	✓		✓	✓	✓		✓	✓	✓	✓	
Corner B Butt			✓	✓		✓	✓	✓		✓	✓	✓		✓	✓	✓		✓	✓	✓		✓	✓	✓	✓	
Corner B Thru			✓	✓		✓	✓	✓		✓	✓	✓		✓	✓	✓		✓	✓	✓		✓	✓	✓	✓	
Bay A		✓	✓	✓	✓	✓	✓	✓	✓	✓	✓	✓	✓	✓	✓	✓	✓	✓	✓	✓	✓	✓	✓	✓	✓	
Bay B		✓	✓	✓	✓	✓	✓	✓	✓	✓	✓	✓	✓	✓	✓	✓	✓	✓	✓	✓	✓	✓	✓	✓	✓	
Bay C		✓	✓	✓	✓	✓	✓	✓	✓	✓	✓	✓	✓	✓	✓	✓	✓	✓	✓	✓	✓	✓	✓	✓	✓	
		Blind Heights																								
Minimum Blind Height	25mm	N/A	N/A	N/A	N/A	N/A	N/A	N/A	N/A	N/A	N/A	N/A	N/A	N/A	N/A	N/A	N/A	N/A	N/A	N/A	N/A	N/A	N/A	N/A	N/A	
Maximum Blind Height		N/A	N/A	N/A	N/A	N/A	N/A	N/A	N/A	N/A	N/A	N/A	N/A	N/A	N/A	N/A	N/A	N/A	N/A	N/A	N/A	N/A	N/A	N/A	N/A	N/A
Minimum Blind Height	38mm	N/A	N/A	N/A	N/A	N/A	N/A	N/A	N/A	N/A	N/A	N/A	200mm	600mm	200mm	600mm	600mm	600mm	600mm	600mm	600mm	600mm	600mm	600mm	600mm	
Maximum Blind Height		N/A	N/A	N/A	N/A	N/A	N/A	N/A	N/A	N/A	N/A	N/A	2500mm	2500mm	2500mm	2100mm	2100mm	2100mm	2500mm	2500mm	2500mm	2500mm	2500mm	2500mm	2500mm	
Minimum Blind Height	45mm	300mm	300mm	300mm	300mm	300mm	300mm	300mm	300mm	300mm	300mm	300mm	N/A	N/A	N/A	N/A	N/A	N/A	N/A	N/A	N/A	N/A	N/A	N/A	N/A	
Maximum Blind Height		2100mm	2100mm	2100mm	2100mm	2100mm	2100mm	2100mm	2100mm	2100mm	2100mm	2100mm	N/A	N/A	N/A	N/A	N/A	N/A	N/A	N/A	N/A	N/A	N/A	N/A	N/A	
		Maximum Total Square Metre's Per Blind																								
25mm Blind		N/A	N/A	N/A	N/A	N/A	N/A	N/A	N/A	N/A	N/A	N/A	N/A	N/A	N/A	N/A	N/A	N/A	N/A	N/A	N/A	N/A	N/A	N/A	N/A	
38mm Blind		N/A	N/A	N/A	N/A	N/A	N/A	N/A	N/A	N/A	N/A	N/A	7.5m²	4.56m²	7.5m²	5.04m²	5.04m²	5.04m²	7.5m²	6.4m²	7.32m²	4.75m² Blockout 7m² Translucent	4.50m²	5.0m² Blockout 7.0m² Translucent		
45mm Blind		6.3m²	3.8m²	6.3m²	4.04m²	4.04m²	4.04m²	6.3m²	5.2m²	6.3m²	4.5m²	4.6m²	4.6m²	N/A	N/A	N/A	N/A	N/A	N/A	N/A	N/A	N/A	N/A	N/A		
		Blind Widths																								
Minimum Blind Width		200mm	450mm	450mm	250mm	550mm	550mm	300mm	570mm	570mm	710mm (Battery) 620mm (Powered With Adapter)	910mm - 1200mm (Battery) 850mm - 1000mm (Powered With Adapter)	910mm - 1200mm (Battery) 850mm - 1000mm (Powered With Adapter)	200mm	450mm	450mm	250mm	550mm	550mm	300mm	570mm	570mm	710mm (Battery) 620mm (Powered With Adapter)	910mm - 1200mm (Battery) 850mm - 1000mm (Powered With Adapter)	910mm - 1200mm (Battery) 850mm - 1000mm (Powered With Adapter)	
Maximum Blind Width		3000mm	3000mm	3000mm	2400mm	2400mm	2400mm	3000mm	3000mm	3000mm	3000mm	3000mm	3000mm	3000mm	3000mm	3000mm	2400mm	2400mm	2400mm	3000mm	3000mm	3000mm	3000mm	3000mm	3000mm	
		Fitting Method																								
Face Fit		✓	✓	✓	✓	✓	✓	✓	✓	✓	✓	✓	✓	✓	✓	✓	✓	✓	✓	✓	✓	✓	✓	✓	✓	
Recess Fit		✓	✓	✓	✓	✓	✓	✓	✓	✓	✓	✓	✓	✓	✓	✓	✓	✓	✓	✓	✓	✓	✓	✓	✓	
		Head Rail/Fascia/Pelmet Options																								
Fascia/Pelmet Standard Or Option		Standard	Standard	Standard	Standard	Standard	Standard	Standard	Standard	Standard	Standard	Standard	Standard	Standard	Standard	Standard	Standard	Standard	Standard	Standard	Standard	Standard	Standard	Standard	Standard	
Colours		Matched To Blind Colour	Matched To Blind Colour	Matched To Blind Colour	Matched To Blind Colour	Matched To Blind Colour	Matched To Blind Colour	Matched To Blind Colour	Matched To Blind Colour	Matched To Blind Colour	Matched To Blind Colour	Matched To Blind Colour	Matched To Blind Colour	Matched To Blind Colour	Matched To Blind Colour	Matched To Blind Colour	Matched To Blind Colour	Matched To Blind Colour	Matched To Blind Colour	Matched To Blind Colour	Matched To Blind Colour	Matched To Blind Colour	Matched To Blind Colour	Matched To Blind Colour	Matched To Blind Colour	
Fabric Insert		x	x	x	x	x	x	x	x	x	x	x	x	x	x	x	x	x	x	x	x	x	x	x	x	
		Special Options Available																								
Door Cutouts		x	x	x	x	x	x	x	x	x	x	x	x	x	x	x	x	x	x	x	x	x	x	x	x	
Multiple Blinds		✓	✓	✓	✓	✓	✓	✓	✓	✓	✓	✓	✓	✓	✓	✓	✓	✓	✓	✓	✓	✓	✓	✓	✓	
Suitable For Wet Areas		x	x	x	x	x	x	x	x	x	x	x	x	x	x	x	x	x	x	x	x	x	x	x	x	
Motorisation Information		<p>The Motorised Options are:</p> <p><b>Battery Operated Motor with Wand or Remote.</b> Battery Operated Blinds use 8 x AA Batteries per Blind. (batteries not included) These are not recommended for frequent use as the batteries may require regular charging. The batteries will need replacing according to the frequency of use and are not rechargeable. Motorised Battery options are not recommended for high window area's (due to the requirements to change batteries).</p> <p><b>Powered Operated Motor With Power Adapter (Hardwired Motor) with Wand or Remote.</b> These use a 240V Mains Plug and will require a power point/socket close to the Blind. The Blinds will need a continuous power source to operate.</p> <p><b>Rechargeable Battery Operated Motor With Power Adapter with Wand or Remote.</b> These use a 240V Mains Plug and will require a power point/socket close to the Blind when recharging the battery.</p>																								
Notes		<p>* Clutch Day Night, One Control Cord minimum width is: 600mm (Height &lt; 2000mm), 700mm (Height ≥ 2000mm). Clutch Cord is supplied as Cotton/White, unless specified otherwise.</p> <p>† Motorised Day Night &amp; Motorised Top Down, Bottom Up Minimum Widths: 910mm (Battery - Simple Touch Wand) 850mm (Powered Operated Motor With Power Adapter - Simple Touch Wand) 1000mm (Powered Operated Motor With Power Adapter - Simple Touch Wireless Remote)</p>																								

Blind Type	Cell-In-Cell Cellular												Double Cellular											
	Cell-In-Cell Cellular Blinds Are Available In 45mm Cell Size Only												Double Cellular Blinds Are Available In 38mm											
Operation Type	Corded			Cordless			Clutch			Motorised			Corded			Cordless			Clutch			Motorised		
	Corded Standard	Corded Day Night	Corded Top Down, Bottom Up	Cordless Standard	Cordless Day Night	Cordless Top Down, Bottom Up	Clutch Standard	Clutch Day Night	Clutch Top Down, Bottom Up	Motorised Standard	Motorised Day Night	Motorised Top Down, Bottom Up	Corded Standard	Corded Day Night	Corded Top Down, Bottom Up	Cordless Standard	Cordless Day Night	Cordless Top Down, Bottom Up	Clutch Standard	Clutch Day Night	Clutch Top Down, Bottom Up	Motorised Standard	Motorised Day Night	Motorised Top Down, Bottom Up
<b>Selling Features</b>	<p><b>Selling Features</b></p> <p>Smaller Headbox Superior Insulation Ideal For Smaller Drops</p> <p>Light Filtering &amp; Blockout Configuration</p> <p>Increased Level Of Control &amp; Privacy</p> <p>No Chains Or Cords Easy Operation Child Safe Superior Insulation</p> <p>Light Filtering &amp; Blockout Configuration</p> <p>Increased Level Of Control &amp; Privacy</p> <p>No Chains Or Cords Easy Operation Child Safe Superior Insulation</p> <p>Clutch Assisted Operation Superior Insulation</p> <p>Light Filtering &amp; Blockout Configuration</p> <p>Increased Level Of Control &amp; Privacy</p> <p>Easy Operation Motorised Wand Control Or Remote No Chains Or Cords Child Safe Superior Insulation</p> <p>Light Filtering &amp; Blockout Configuration</p> <p>Increased Level Of Control &amp; Privacy</p> <p>Easy Operation Motorised Wand Control Or Remote No Chains Or Cords Child Safe Superior Insulation</p> <p>Smaller Headbox Increased Insulation Ideal For Smaller Drops</p> <p>Light Filtering &amp; Blockout Configuration</p> <p>Increased Level Of Control &amp; Privacy</p> <p>No Chains Or Cords Easy Operation Child Safe Superior Insulation</p> <p>Light Filtering &amp; Blockout Configuration</p> <p>Increased Level Of Control &amp; Privacy</p> <p>No Chains Or Cords Easy Operation Child Safe Superior Insulation</p> <p>Clutch Assisted Operation Increased Insulation</p> <p>Light Filtering &amp; Blockout Configuration</p> <p>Increased Level Of Control &amp; Privacy</p> <p>Clutch Assisted Operation Increased Insulation</p> <p>Light Filtering &amp; Blockout Configuration</p> <p>Increased Level Of Control &amp; Privacy</p> <p>Easy Operation Motorised Wand Control Or Remote No Chains Or Cords Child Safe Superior Insulation</p> <p>Light Filtering &amp; Blockout Configuration</p> <p>Increased Level Of Control &amp; Privacy</p> <p>Easy Operation Motorised Wand Control Or Remote No Chains Or Cords Child Safe Superior Insulation</p>																							
<b>Advantages</b>	<p><b>Advantages</b></p> <p>Insulative Properties Keeps Homes Both Cooler In Summer &amp; Warmer In Winter</p> <p>Fade Resistant</p> <p>Child Safe</p> <p>Dust Resistant</p> <p>Mould Resistant</p> <p>Repels Moisture</p> <p>PVC Free</p>																							
<b>Fabric Options</b>	<p><b>Fabric Options</b></p> <p>Blockout Standard: 45mm Cell-In-Cell - Cotton, Taupe B, Beige B, Ivory A, Classic Gray, Blue Wind, Gray Storm, Black</p> <p>Translucent Standard: 45mm Cell-In-Cell - Cotton, Taupe B, Beige B, Ivory A, Classic Gray, Blue Wind, Gray Storm, Black</p> <p>Cell-In-Cell Bamboo Translucent: 45mm Cell-In-Cell - Sticks &amp; Stones, Antique Pewter</p> <p>Cell-In-Cell Bamboo Blockout: 45mm Cell-In-Cell - Sticks &amp; Stones, Antique Pewter</p> <p>38mm Double Cell - Alabaster, Cotton, Jean Blue</p> <p>38mm Double Cell - Agate Red, Alabaster, Avocado, Black, Cocoa, Cotton, Cream, Gray Sheen, Ironstone, Jean Blue, Musk, Pongee, Rosegate, Royal Purple, Sangria, Snow White, Stone Red, Sweetmint, Water Green, Wisteria</p>																							
Day Night Option Available																								
Day Night Colours	Day Night Can Be Ordered With Any Combination Of The Same Cell Size Blockout & Translucent Colours.																							

Product		Transition Blind																				
Blind Type	Multi Shade																	Triple Shade				
	Privacy/Blockout Standard <sup>1</sup>	Privacy/Blockout Woven <sup>2</sup>	Semi Blockout Grain	Semi Blockout Textured	Privacy Textured	Privacy Lase	Privacy Grain	Privacy Textured Grain	Privacy Large	Privacy Natural	Jacquard Weave	Premium Blockout	Premium Blockout Woven	Premium Room Darkening	Premium Woven Room Darkening	Textured	Eco Friendly	Standard	Semi Blockout	Privacy Standard	Jacquard Weave	
Window Types																						
Standard	✓	✓	✓	✓	✓	✓	✓	✓	✓	✓	✓	✓	✓	✓	✓	✓	✓	✓	✓	✓	✓	
Side By Side	✓	✓	✓	✓	✓	✓	✓	✓	✓	✓	✓	✓	✓	✓	✓	✓	✓	✓	✓	✓	✓	
Corner A Bolt	✓	✓	✓	✓	✓	✓	✓	✓	✓	✓	✓	✓	✓	✓	✓	✓	✓	✓	✓	✓	✓	
Corner A Thru	✓	✓	✓	✓	✓	✓	✓	✓	✓	✓	✓	✓	✓	✓	✓	✓	✓	✓	✓	✓	✓	
Corner B Bolt	✓	✓	✓	✓	✓	✓	✓	✓	✓	✓	✓	✓	✓	✓	✓	✓	✓	✓	✓	✓	✓	
Corner B Thru	✓	✓	✓	✓	✓	✓	✓	✓	✓	✓	✓	✓	✓	✓	✓	✓	✓	✓	✓	✓	✓	
Bay A	✓	✓	✓	✓	✓	✓	✓	✓	✓	✓	✓	✓	✓	✓	✓	✓	✓	✓	✓	✓	✓	
Bay B	✓	✓	✓	✓	✓	✓	✓	✓	✓	✓	✓	✓	✓	✓	✓	✓	✓	✓	✓	✓	✓	
Bay C	✓	✓	✓	✓	✓	✓	✓	✓	✓	✓	✓	✓	✓	✓	✓	✓	✓	✓	✓	✓	✓	
Blind Heights																						
Minimum Blind Height	300mm	300mm	300mm	300mm	300mm	300mm	300mm	300mm	300mm	300mm	300mm	300mm	300mm	300mm	300mm	300mm	300mm	300mm	300mm	300mm	300mm	
Maximum Blind Height	3000mm	3000mm	3000mm	3000mm	3000mm	2100mm	3000mm	2500mm	3000mm	2100mm	3000mm	3000mm	3000mm	3000mm	3000mm	3000mm	3000mm	3000mm	3000mm	3000mm	3000mm	
Blind Widths																						
Minimum Blind Width	150mm	150mm	150mm	150mm	150mm	150mm	150mm	150mm	150mm	150mm	150mm	150mm	150mm	150mm	150mm	150mm	150mm	150mm	150mm	150mm	150mm	
Maximum Minimum Blind Width	150mm	150mm	150mm	150mm	150mm	150mm	150mm	150mm	150mm	150mm	150mm	150mm	150mm	150mm	150mm	150mm	150mm	150mm	150mm	150mm	150mm	
Maximum Blind Width	2950mm	2950mm	2950mm	2950mm	2950mm	2950mm	2950mm	2950mm	2950mm	2950mm	2950mm	2950mm	2950mm	2950mm	2950mm	2950mm	2950mm	2950mm	2950mm	2950mm	2950mm	
Maximum Window Width For Single Blind Option	2950mm	2950mm	2950mm	2950mm	2950mm	2950mm	2950mm	2950mm	2950mm	2950mm	2950mm	2950mm	2950mm	2950mm	2950mm	2950mm	2950mm	2950mm	2950mm	2950mm	2950mm	
Fitting Method																						
Face Fit	✓	✓	✓	✓	✓	✓	✓	✓	✓	✓	✓	✓	✓	✓	✓	✓	✓	✓	✓	✓	✓	
Recess Fit	✓	✓	✓	✓	✓	✓	✓	✓	✓	✓	✓	✓	✓	✓	✓	✓	✓	✓	✓	✓	✓	
Head Rail Options																						
Edge	✓	✓	✓	✓	✓	✓	✓	✓	✓	✓	✓	✓	✓	✓	✓	✓	✓	✓	✓	✓	✓	
Black	✓	✓	✓	✓	✓	✓	✓	✓	✓	✓	✓	✓	✓	✓	✓	✓	✓	✓	✓	✓	✓	
Dark Brown	✓	✓	✓	✓	✓	✓	✓	✓	✓	✓	✓	✓	✓	✓	✓	✓	✓	✓	✓	✓	✓	
Grey	✓	✓	✓	✓	✓	✓	✓	✓	✓	✓	✓	✓	✓	✓	✓	✓	✓	✓	✓	✓	✓	
Levy	✓	✓	✓	✓	✓	✓	✓	✓	✓	✓	✓	✓	✓	✓	✓	✓	✓	✓	✓	✓	✓	
Light Brown	✓	✓	✓	✓	✓	✓	✓	✓	✓	✓	✓	✓	✓	✓	✓	✓	✓	✓	✓	✓	✓	
White	✓	✓	✓	✓	✓	✓	✓	✓	✓	✓	✓	✓	✓	✓	✓	✓	✓	✓	✓	✓	✓	
Fabric Insert Option	✓	✓	✓	✓	✓	✓	✓	✓	✓	✓	✓	✓	✓	✓	✓	✓	✓	✓	✓	✓	✓	
Bottom Rail Options																						
Bottom Rail Type	Teppanum Profile	Teppanum Profile	Teppanum Profile	Teppanum Profile	Teppanum Profile	Teppanum Profile	Teppanum Profile	Teppanum Profile	Teppanum Profile	Teppanum Profile	Teppanum Profile With Fabric Insert	Teppanum Profile	Teppanum Profile	Teppanum Profile	Teppanum Profile	Teppanum Profile	Teppanum Profile	Teppanum Profile	Teppanum Profile	Woolite Chair Profile	Woolite Chair Profile	Woolite Chair Profile
Edge	✓	✓	✓	✓	✓	✓	✓	✓	✓	✓	✓	✓	✓	✓	✓	✓	✓	✓	✓	✓	✓	✓
Black	✓	✓	✓	✓	✓	✓	✓	✓	✓	✓	✓	✓	✓	✓	✓	✓	✓	✓	✓	✓	✓	✓
Dark Brown	✓	✓	✓	✓	✓	✓	✓	✓	✓	✓	✓	✓	✓	✓	✓	✓	✓	✓	✓	✓	✓	✓
Grey	✓	✓	✓	✓	✓	✓	✓	✓	✓	✓	✓	✓	✓	✓	✓	✓	✓	✓	✓	✓	✓	✓
Levy	✓	✓	✓	✓	✓	✓	✓	✓	✓	✓	✓	✓	✓	✓	✓	✓	✓	✓	✓	✓	✓	✓
Light Brown	✓	✓	✓	✓	✓	✓	✓	✓	✓	✓	✓	✓	✓	✓	✓	✓	✓	✓	✓	✓	✓	✓
White	✓	✓	✓	✓	✓	✓	✓	✓	✓	✓	✓	✓	✓	✓	✓	✓	✓	✓	✓	✓	✓	✓
Special Options Available																						
Door Controls	✓	✓	✓	✓	✓	✓	✓	✓	✓	✓	✓	✓	✓	✓	✓	✓	✓	✓	✓	✓	✓	
Motorisation	✓	✓	✓	✓	✓	✓	✓	✓	✓	✓	✓	✓	✓	✓	✓	✓	✓	✓	✓	✓	✓	
Multiple Blinds	✓	✓	✓	✓	✓	✓	✓	✓	✓	✓	✓	✓	✓	✓	✓	✓	✓	✓	✓	✓	✓	
Notes	<sup>1</sup> Previously called Blockout Standard, now called Privacy Standard <sup>2</sup> Previously called Blockout Blinds, now called Privacy Blinds <sup>3</sup> Side By Side Transition Blinds will be made with manufacturing tolerances. <sup>4</sup> Motorisation is available with a 1 channel remote, or 2, 3 and 15 channels by special request.																					

Product	Transition Blind																					
Blind Type	Multi Shade																Triple Shade					
Custom Made Blind Range	Privacy/Blockout Standard	Privacy/Blockout Woven	Semi Blockout Grain	Semi Blockout Textured	Privacy Textured	Privacy Lure	Privacy Grain	Privacy Textured Grain	Privacy Large	Privacy Natural	Jacquard Weave	Premium Blockout	Premium Blockout Woven	Premium Room Darkening	Premium Woven Room Darkening	Textured	Eco Friendly	Standard	Semi Blockout	Privacy Standard	Jacquard Weave	
Selling Features	Excellent Light & Privacy Control Compact & Neat Window Covering Blockout Fabric Reduce Heat & Glare	Excellent Light & Privacy Control Compact & Neat Window Covering Blockout Fabric Woven Pattern Reduce Heat & Glare	Excellent Light & Privacy Control Compact & Neat Window Covering Semi Blockout Fabric Grain Pattern	Excellent Light & Privacy Control Compact & Neat Window Covering Semi Blockout Fabric Textured Pattern	Excellent Light & Privacy Control Compact & Neat Window Covering Blockout Fabric Textured Pattern Reduce Heat & Glare	Excellent Light & Privacy Control Compact & Neat Window Covering Blockout Fabric Mist Pattern Reduce Heat & Glare	Excellent Light & Privacy Control Compact & Neat Window Covering Blockout Fabric Grain Pattern Reduce Heat & Glare	Excellent Light & Privacy Control Compact & Neat Window Covering Blockout Fabric Textured Grain Pattern Reduce Heat & Glare	Excellent Light & Privacy Control Compact & Neat Window Covering Blockout Fabric Reduce Heat & Glare	Excellent Light & Privacy Control Compact & Neat Window Covering Blockout Fabric Reduce Heat & Glare	Excellent Light & Privacy Control Compact & Neat Window Covering Blockout Fabric Reduce Heat & Glare	Excellent Light & Privacy Control Compact & Neat Window Covering Blockout Fabric Reduce Heat & Glare	Excellent Light & Privacy Control Compact & Neat Window Covering Blockout Fabric Reduce Heat & Glare	Excellent Light & Privacy Control Compact & Neat Window Covering Blockout Fabric Reduce Heat & Glare	Excellent Light & Privacy Control Compact & Neat Window Covering Room Darkening Fabric Reduce Heat & Glare	Excellent Light & Privacy Control Compact & Neat Window Covering Room Darkening Fabric Woven Pattern Reduce Heat & Glare	Excellent Light & Privacy Control Compact & Neat Window Covering Largest Range Of Colour Options Textured Pattern	Excellent Light & Privacy Control Compact & Neat Window Covering Reduce Heat & Glare Made From 27% Recycled Farn Content	Maintain Privacy While Allowing Light	Maintain Privacy While Allowing Light	Maintain Privacy While Allowing Light	Maintain Privacy While Allowing Light
Finish	Blockout Standard	Blockout Woven	Semi Blockout Grain	Semi Blockout Textured	Privacy Textured	Privacy Lure	Privacy Grain	Privacy Textured Grain	Privacy Large	Privacy Natural	Jacquard Weave	Premium Blockout	Blockout Woven	Premium Room Darkening	Premium Woven Room Darkening	Textured	Eco Friendly	Standard	Semi Blockout	Privacy Standard	Jacquard Weave	
Composition	100% Polyester	100% Polyester	100% Polyester	100% Polyester	100% Polyester	100% Polyester	100% Polyester	100% Polyester	100% Polyester	100% Polyester	100% Polyester	100% Polyester	100% Polyester	100% Polyester	100% Polyester	100% Polyester	100% Polyester (87% Recycled Yarn Content)	70% Polyester & 30% RM	100% Polyester	100% Polyester	100% Polyester	
Colour Fastness	7 to 8	6 to 8	6 to 7	6 to 7	6 to 7	6 to 7	6 to 7	6 to 7	6 to 7	6 to 7	6 to 8	6 to 7	7 to 8	6 to 7	6 to 7	7 to 8	4 to 5	7 to 8	7 to 8	7 to 8	7 to 8	
Fabric Weight Per m <sup>2</sup>	163g (+/- 5%)	227g (+/- 5%)	178g (+/- 5%)	109g (+/- 5%)	172g (+/- 5%)	220g (+/- 5%)	184g (+/- 5%)	293g (+/- 5%)	200g (+/- 5%)	263g (+/- 5%)	132g (+/- 5%)	183g (+/- 5%)	172g (+/- 5%)	140g (+/- 5%)	140g (+/- 5%)	120g (+/- 5%)	118g (+/- 5%)	207g (+/- 5%)	209g (+/- 5%)	470g (+/- 5%)	211g (+/- 5%)	
Advantages	<ul style="list-style-type: none"> <li>Insulative Properties: <input checked="" type="checkbox"/></li> <li>Fade Retardant: <input checked="" type="checkbox"/></li> <li>Dust Resistant: <input checked="" type="checkbox"/></li> <li>Mould Resistant: <input checked="" type="checkbox"/></li> <li>Repels Moisture: <input checked="" type="checkbox"/></li> </ul>																					
Colour	<ul style="list-style-type: none"> <li>Almond BL502</li> <li>Bark BL932</li> <li>Chalk BL003</li> <li>Ginger BL905</li> <li>Iron Ore BL804</li> <li>Midnight BL513</li> <li>Mud BL003</li> <li>Other BL007</li> <li>Steel BL911</li> <li>Bonnet BL007</li> <li>Bracken BL008</li> <li>Cherrywood BL011</li> <li>Fossil BL003</li> <li>Mercury BL005</li> <li>Mintique BL004</li> <li>Onyx BL012</li> <li>Sorter BL004</li> <li>Stone Inger BL001</li> <li>Thistle BL009</li> <li>Walnut BL010</li> <li>Bonnet BL007</li> <li>Bracken BL008</li> <li>Cherrywood BL011</li> <li>Fossil BL003</li> <li>Mercury BL005</li> <li>Mintique BL004</li> <li>Onyx BL012</li> <li>Sorter BL004</li> <li>Stone Inger BL001</li> <li>Thistle BL009</li> <li>Walnut BL010</li> <li>Adren BL007</li> <li>Bone BL004</li> <li>Chiffon BL006</li> <li>Crown BL003</li> <li>Gully BL001</li> <li>Hazel BL005</li> <li>Leather BL011</li> <li>Ocean BL009</li> <li>Pink BL002</li> <li>Royal BL010</li> <li>Smokey BL008</li> <li>Coffee BL005</li> <li>Coin BL004</li> <li>Lark BL002</li> <li>Linex BL003</li> <li>Peridot BL001</li> <li>Shadow BL006</li> <li>Chestnut BL004</li> <li>Chromium BL001</li> <li>Coal BL003</li> <li>Light Slate BL002</li> <li>Biscuit BL002</li> <li>Bright Silver BL001</li> <li>Honey BL003</li> <li>Jet Black BL008</li> <li>Sea BL005</li> <li>Spirit BL006</li> <li>Steel Blue BL007</li> <li>Steel Grey BL004</li> <li>Amber Gold BL004</li> <li>Bronze BL006</li> <li>Dark Cedar BL008</li> <li>Fudge BL007</li> <li>Heathwood BL005</li> <li>Light Cream BL003</li> <li>Raven BL009</li> <li>Smoke White BL001</li> <li>Strling BL002</li> <li>Bronze BL006</li> <li>Dust BL004</li> <li>Frost BL001</li> <li>Pubble BL011</li> <li>Snow BL000</li> <li>Chantal Grey BL007</li> <li>Chamois Grey BL004</li> <li>Classic Silver BL002</li> <li>Cobble BL005</li> <li>Dark Brown BL006</li> <li>Esplanade Grey BL003</li> <li>Intense Black BL008</li> <li>Pearl BL001</li> <li>Cappuccino LV005</li> <li>Majesty LV004</li> <li>Polar LV001</li> <li>Rhodium LV003</li> <li>Slate LV007</li> <li>Soot LV006</li> <li>Straw LV002</li> <li>Champagne BL004</li> <li>Dark Pebble BL007</li> <li>Dusk BL005</li> <li>Oak BL006</li> <li>Outlaw BL003</li> <li>Silver BL001</li> <li>Warm Grey BL002</li> <li>Cold Metal BL004</li> <li>Dwight Sand BL003</li> <li>Espresso BL005</li> <li>Homestead BL006</li> <li>Lato BL002</li> <li>Natural BL001</li> <li>State BL005</li> <li>Walnut BL007</li> <li>Chocolate BL012</li> <li>Cotton BL005</li> <li>Grey BL007</li> <li>Maradama BL002</li> <li>Metal BL008</li> <li>Sand BL003</li> <li>Taupe BL010</li> <li>Ash BL012</li> <li>Autumn BL005</li> <li>Haze BL014</li> <li> Ivory BL001</li> <li>Light Bark BL004</li> <li>Marmalade BL011</li> <li>Mocha BL006</li> <li>Placock BL003</li> <li>Safari BL011</li> <li>Sandstone BL002</li> <li>Stonew BL013</li> <li>Acorn BL023</li> <li>Alabaster BL001</li> <li>Baby Blue BL010</li> <li>Baby Pink BL016</li> <li>Blue Fir BL008</li> <li>Charcoal BL012</li> <li>Cherrywood BL011</li> <li>Chinchilla BL010</li> <li>Earth BL011</li> <li>Grapple BL015</li> <li>Honey BL001</li> <li>Iron BL002</li> <li>Marsh BL009</li> <li>Mint BL010</li> <li>Mocho BL012</li> <li>Safari BL011</li> <li>Sandstone BL002</li> <li>Stonew BL013</li> <li>Platinum BL025</li> <li>Puritan BL007</li> <li>Rustic BL018</li> <li>Smoke BL014</li> <li>Snowy BL021</li> <li>Tan BL017</li> <li>Violet BL004</li> <li>Blue Lagoon BL007</li> <li>Chocolate BL011</li> <li>Chocolate BL011</li> <li>Dewert BL005</li> <li>Eggshell BL003</li> <li>Ghost White BL001</li> <li>Popped Corn BL002</li> <li>Purple BL009</li> <li>Titanium BL006</li> <li>Beige SP002</li> <li>Leaf SP001</li> <li>Lumber SP004</li> <li>Butterfly SP002</li> <li>Pearl SP003</li> <li>Wood SP004</li> <li>Cedar SH006</li> <li>Coconut SH001</li> <li>Fawn SH001</li> <li>Graphite SH005</li> <li>Heavenly SH002</li> <li>Soft Grey SH004</li> </ul>																					